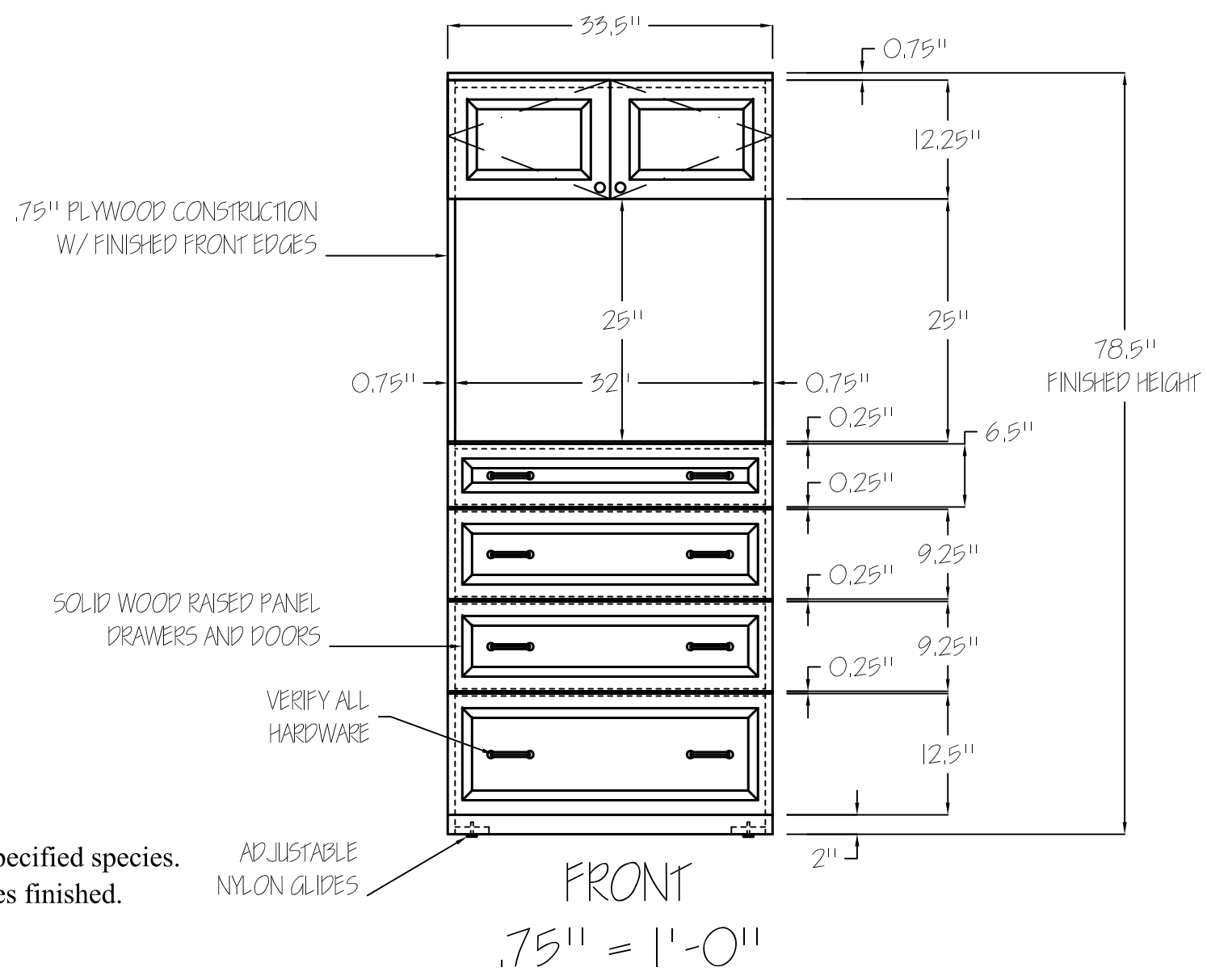
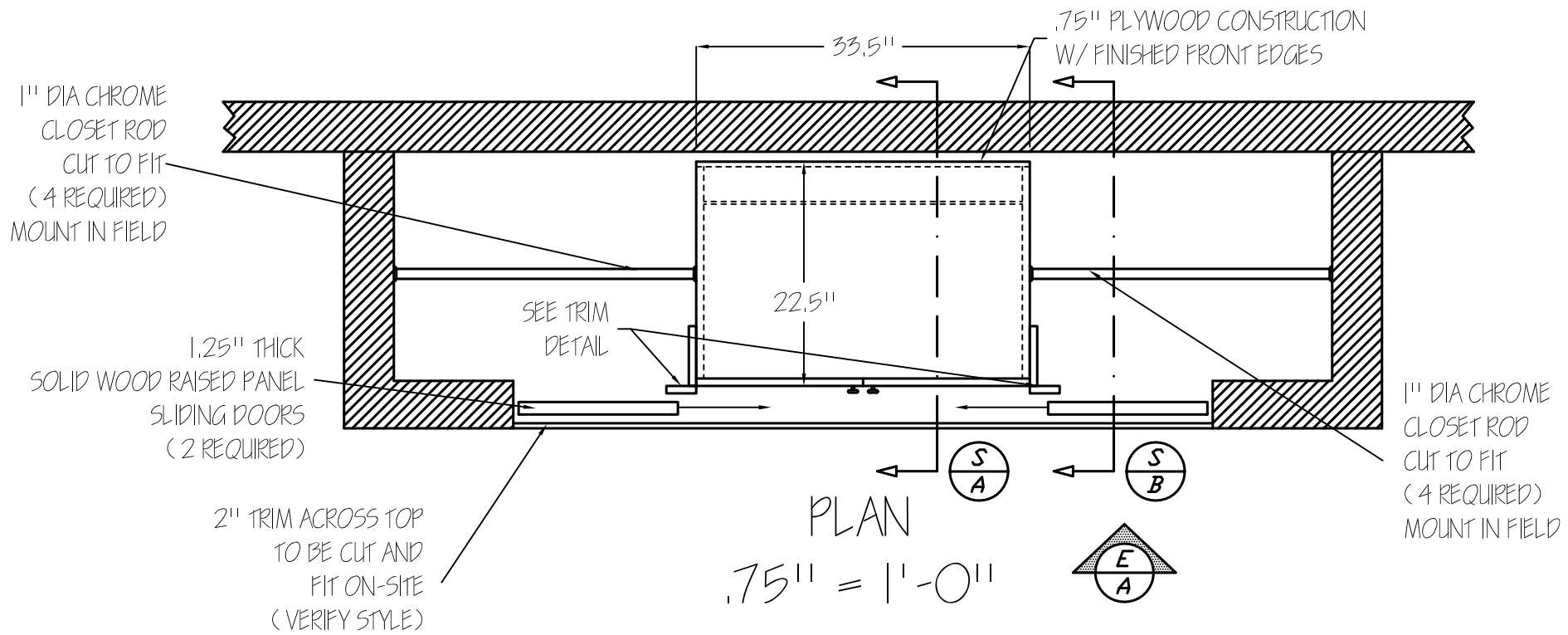


**FANTASY  
WORLD  
RESORTS**

**Regency Furniture International Inc.**  
Designers and Manufacturers of Contract and Hospitality Furniture



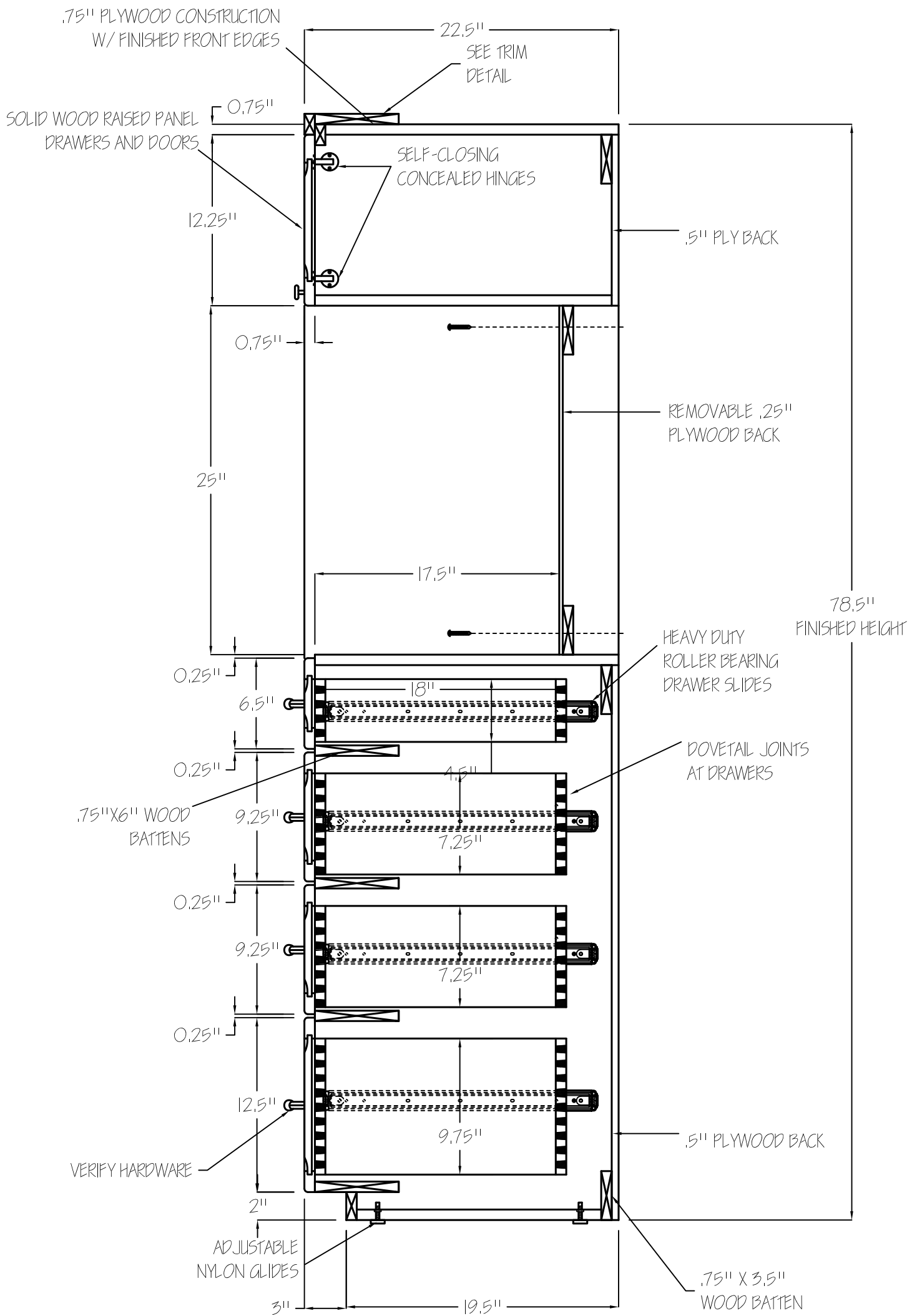
Final door styles to be chosen.  
Handles to be chosen  
Drawer glides are side mounted.  
Door hinges are concealed, self-closing.  
Door fronts are solid wood raised panels in specified species.  
Construction is 3/4" plywood, with front edges finished.  
All trim is to be cut to fit on site.

VERIFY ALL  
HARDWARE

ADJUSTABLE  
NYLON GLIDES

**commercial  
kitchen  
designs**

DWG: Sheet 1  
DATE: 11.24.09  
SCALE: As Shown



SECTION A  
1.5" = 1'-0"

Final door styles to be chosen.  
 Handles to be chosen  
 Drawer glides are side mounted.  
 Door hinges are concealed, self-closing.  
 Door fronts are solid wood raised panels in specified species.  
 Construction is 3/4" plywood, with front edges finished.  
 All trim is to be cut to fit on site.

commercial  
 kitchen  
 designs



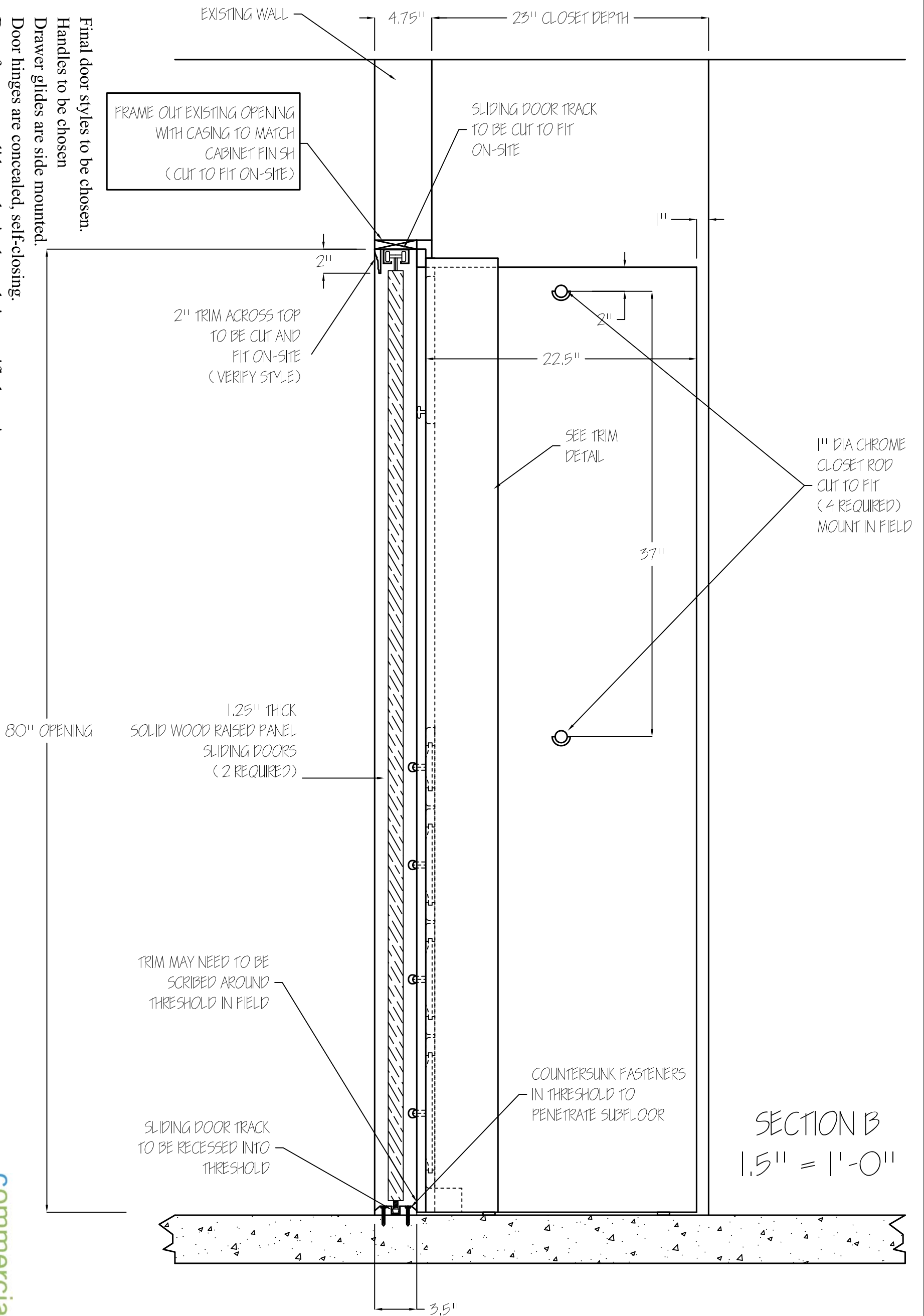
Regency Furniture International Inc.  
 Designers and Manufactures of Contract and Hospitality Furniture

FANTASY  
 WORLD  
 RESORTS

DWG: Sheet2

DATE: 11.24.09

SCALE: As Shown



Final door styles to be chosen.  
 Handles to be chosen  
 Drawer glides are side mounted.  
 Door hinges are concealed, self-closing.  
 Door fronts are solid wood raised panels in specified species.  
 Construction is 3/4" plywood, with front edges finished.  
 All trim is to be cut to fit on site.

SECTION B  
 1.5" = 1'-0"

commercial  
 kitchen  
 designs

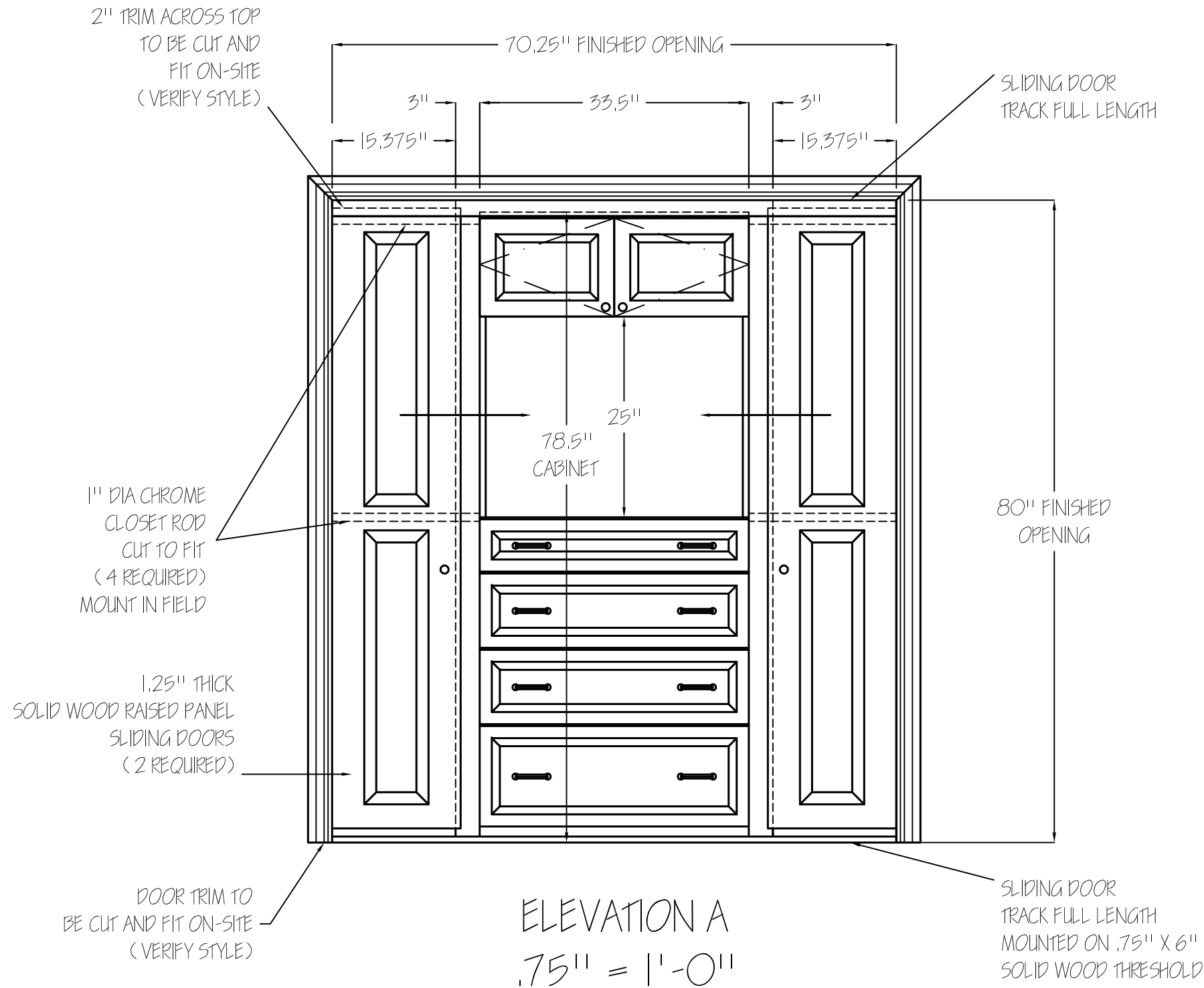


**Regency Furniture International Inc.**  
 Designers and Manufactures of Contract and Hospitality Furniture

**FANTASY  
 WORLD  
 RESORTS**

DWG: Sheet 3  
 DATE: 11.24.09  
 SCALE: As Shown

**FANTASY  
WORLD  
RESORTS**



- Final door styles to be chosen.
- Handles to be chosen
- Drawer glides are side mounted.
- Door hinges are concealed, self-closing.
- Door fronts are solid wood raised panels in specified species.
- Construction is 3/4" plywood, with front edges finished.
- All trim is to be cut to fit on site.

**Regency Furniture International Inc.**  
Designers and Manufacturers of Contract and Hospitality Furniture

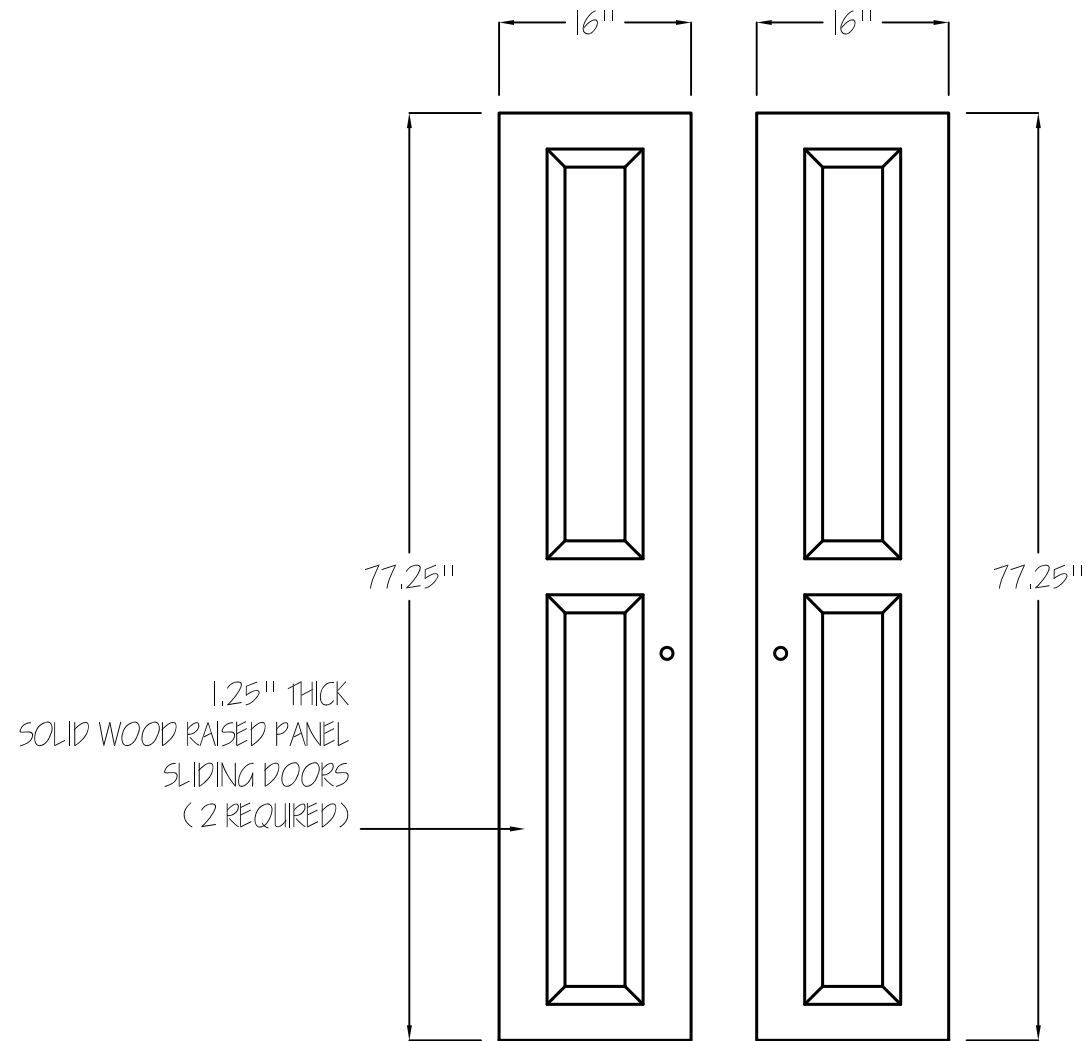


commercial  
kitchen  
designs

DWG: Sheet 4

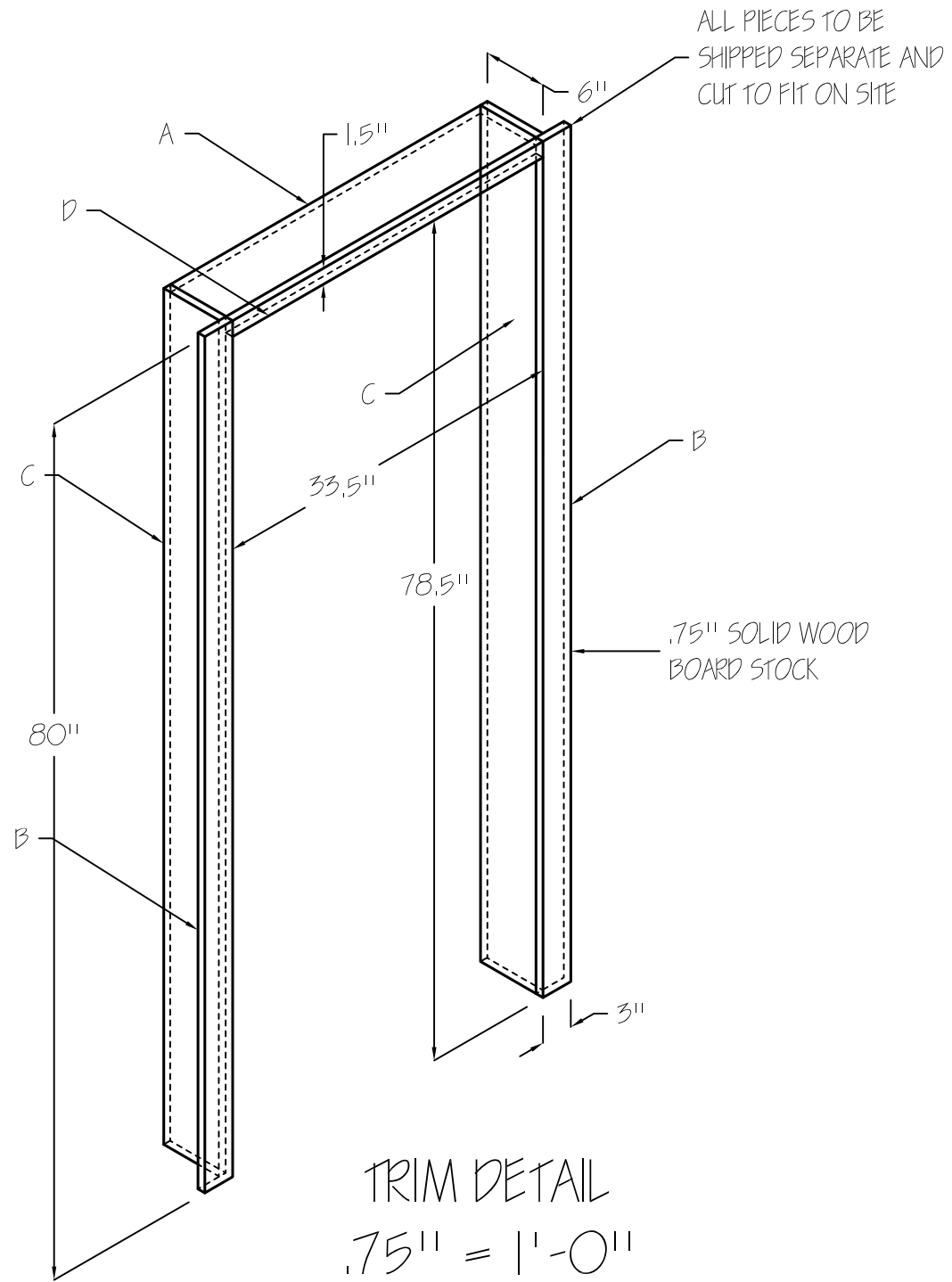
DATE: 11.24.09

SCALE: As Shown



1.25" THICK  
SOLID WOOD RAISED PANEL  
SLIDING DOORS  
(2 REQUIRED)

CLOSET DOORS  
.75" = 1'-0"



TRIM DETAIL  
.75" = 1'-0"

- A - .75" X 6" X 42" (1EA)
- B - .75" X 3" X 96" (2EA)
- C - .75" X 6" X 96" (2EA)
- D - .75" X 1.5" X 42" (1EA)

Final door styles to be chosen.  
Handles to be chosen  
Drawer glides are side mounted.  
Door hinges are concealed, self-closing.  
Door fronts are solid wood raised panels in specified species.  
Construction is 3/4" plywood, with front edges finished.  
All trim is to be cut to fit on site.

**Regency Furniture International Inc.**  
Designers and Manufacturers of Contract and Hospitality Furniture



commercial  
kitchen  
designs

DWG: Sheet 5

DATE: 11.24.09

SCALE: As Shown