

**CONSTRUCTION NOTES**

A - .75" SILESTONE BLANCO CAPRI LIMESTONE TOP OVER .75" FURNITURE GRADE BIRCH OR MAPLE PLYWOOD. IF SPLASH IS REQUIRED, IT IS TO BE .75" SILESTONE BLANCO CAPRI LIMESTONE POST FORMED TO LIMESTONE TOP

B - COVE TILE FLOOR (BY G.C.) OVER 4" WOOD FRAME BASE. (PERIMETER)

C - VERIFY AND COORDINATE HARDWARE WITH ARCHITECT

D - PLASTIC LAMINATE (VERIFY STYLE) OVER .75" FURNITURE GRADE BIRCH OR MAPLE PLYWOOD HINGED DOORS W/LOCKS

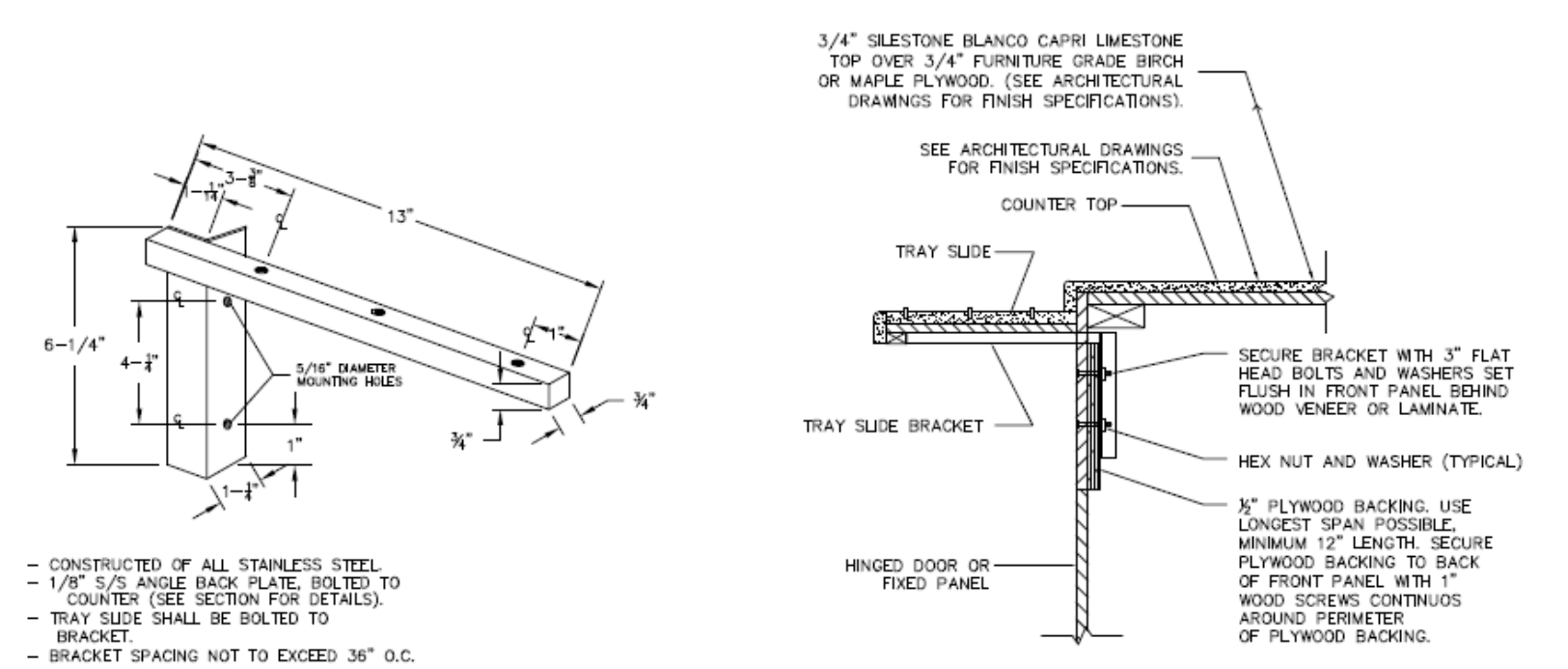
E - PLASTIC LAMINATE (VERIFY STYLE) OVER .75" FURNITURE GRADE BIRCH OR MAPLE PLYWOOD (TYPICAL ALL EXTERIOR EXPOSED SURFACES AND ALL INTERIOR SURFACES)

F - PLASTIC LAMINATE (VERIFY STYLE) OVER .75" FURNITURE GRADE BIRCH OR MAPLE PLYWOOD ADJUSTABLE SHELVES WITH S/S SHELF STANDARDS

G - PLASTIC LAMINATE (VERIFY STYLE) OVER .75" FURNITURE GRADE BIRCH OR MAPLE PLYWOOD FIXED SHELF ATTACHED TO CABINET SIDES WITH DADO

H - .75" SILESTONE BLANCO CAPRI LIMESTONE TOP OVER .75" FURNITURE GRADE BIRCH OR MAPLE PLYWOOD TRAYSIDE WITH S/S BRACKET

TRAY RAIL DETAILS



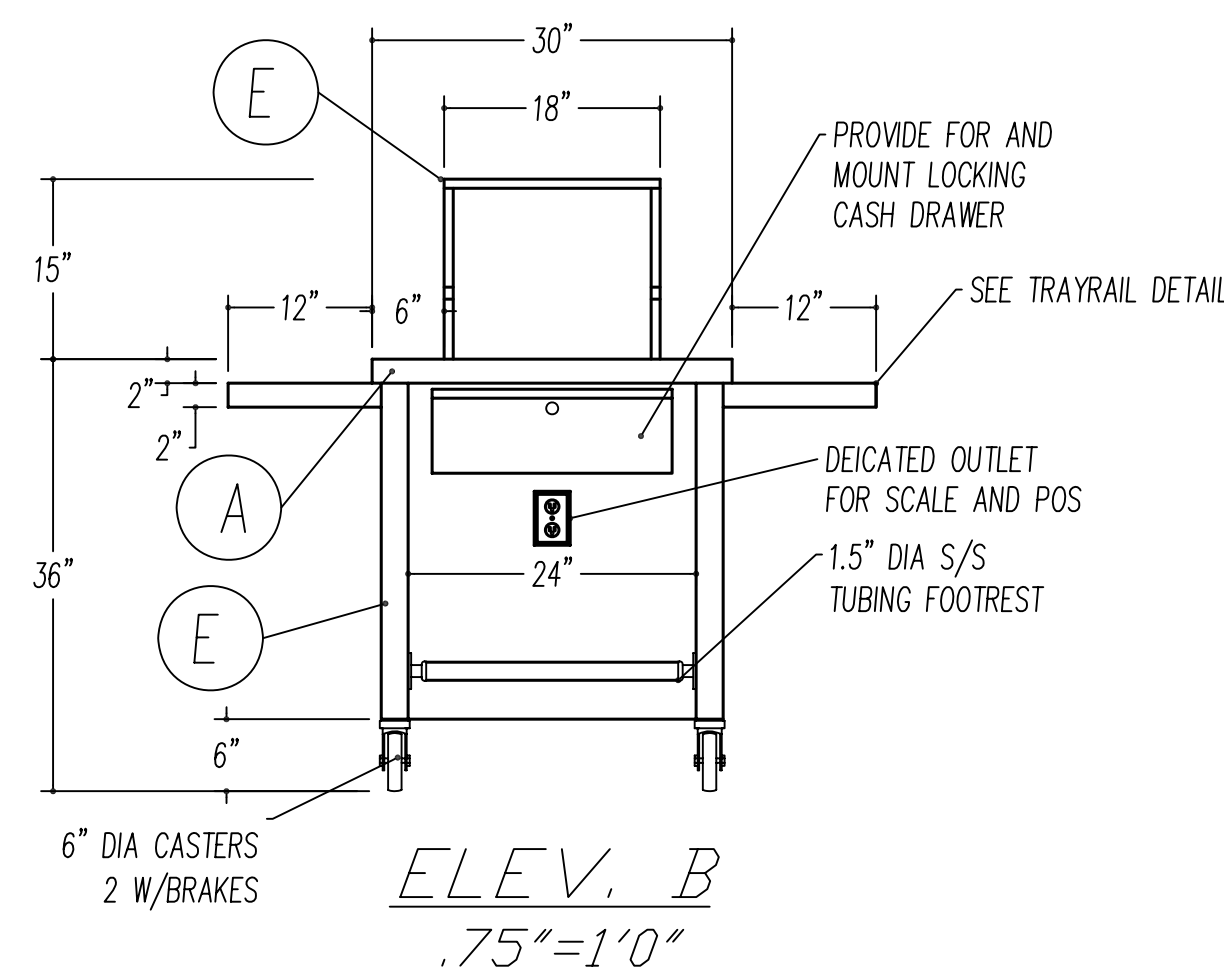
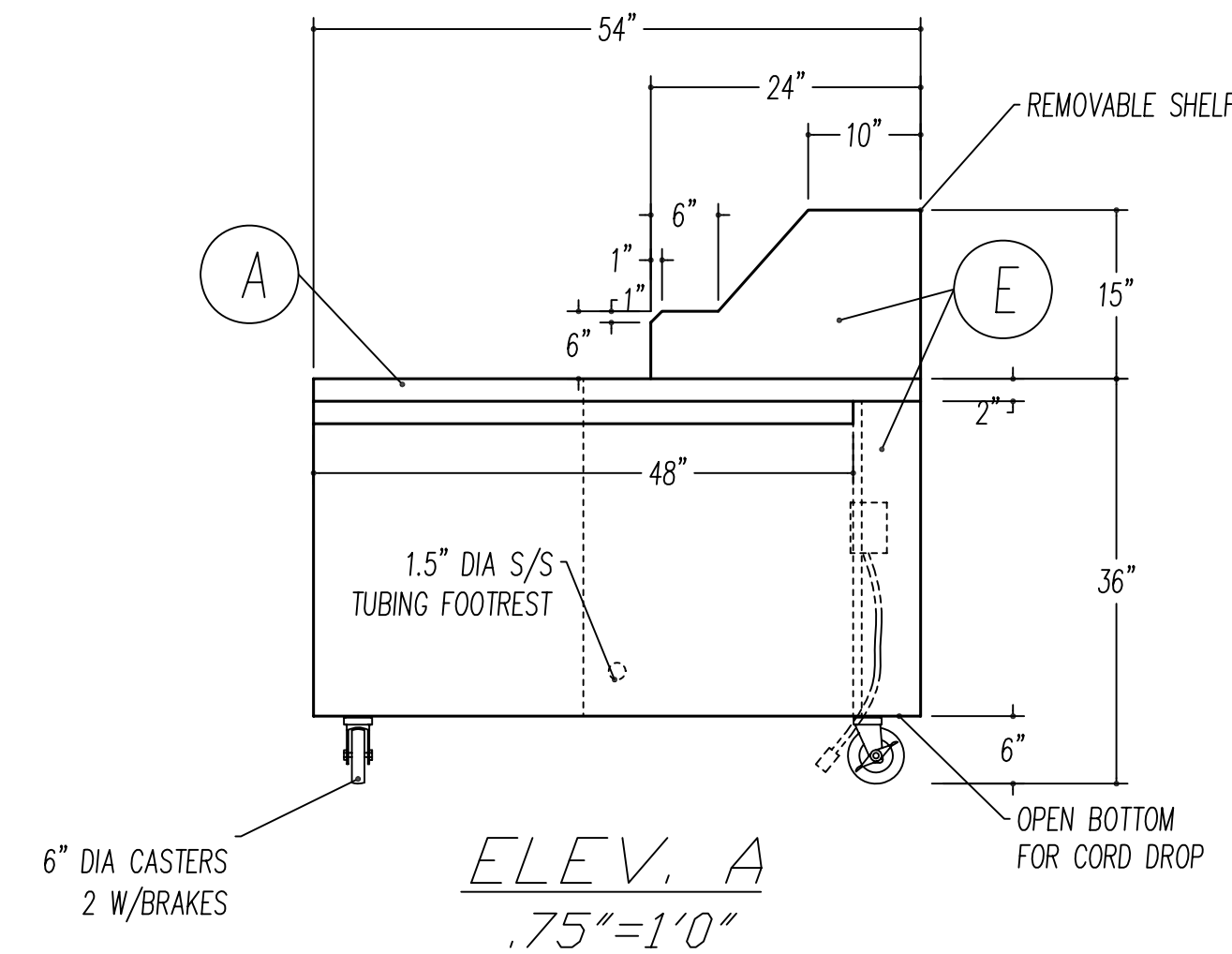
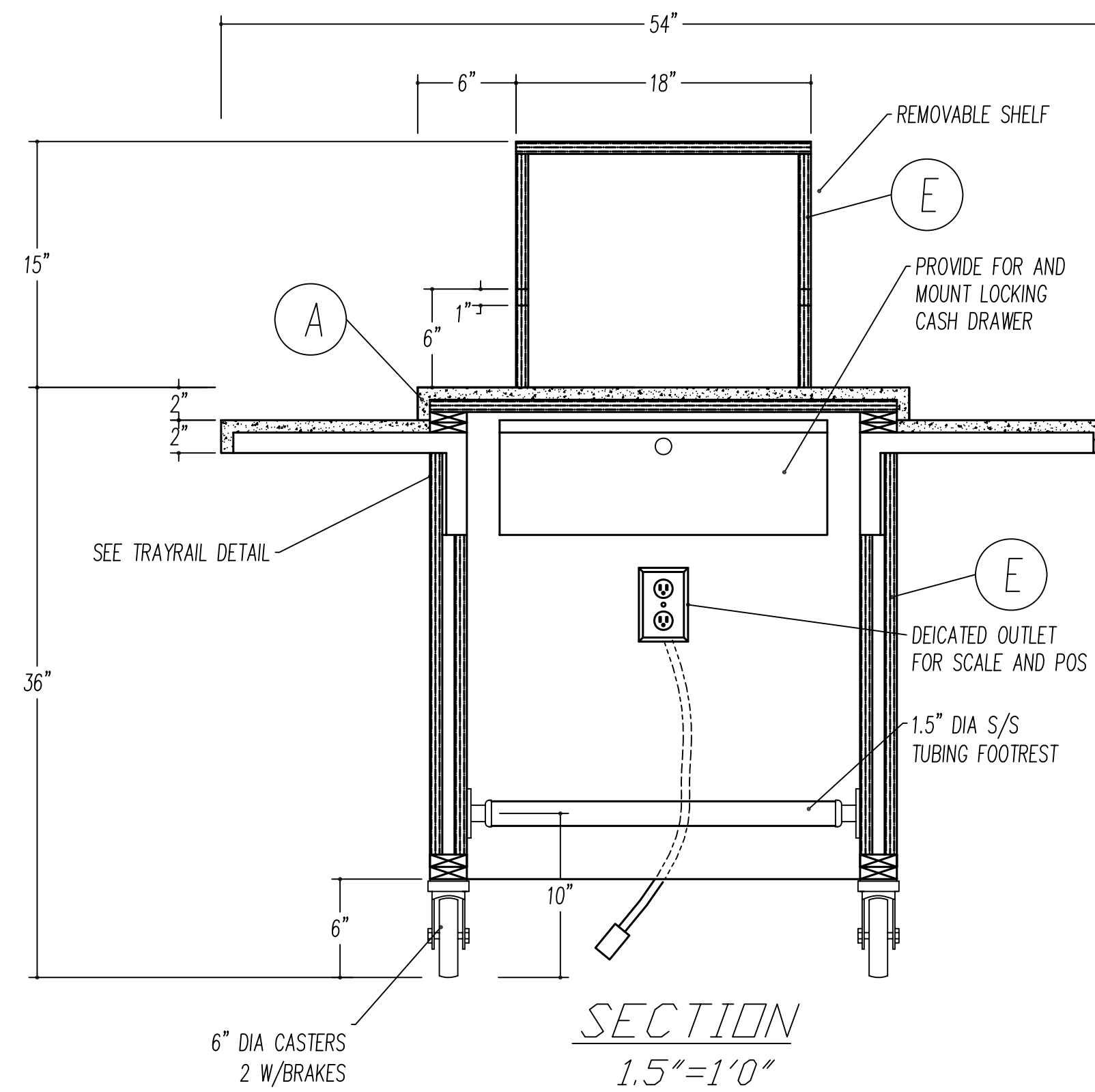
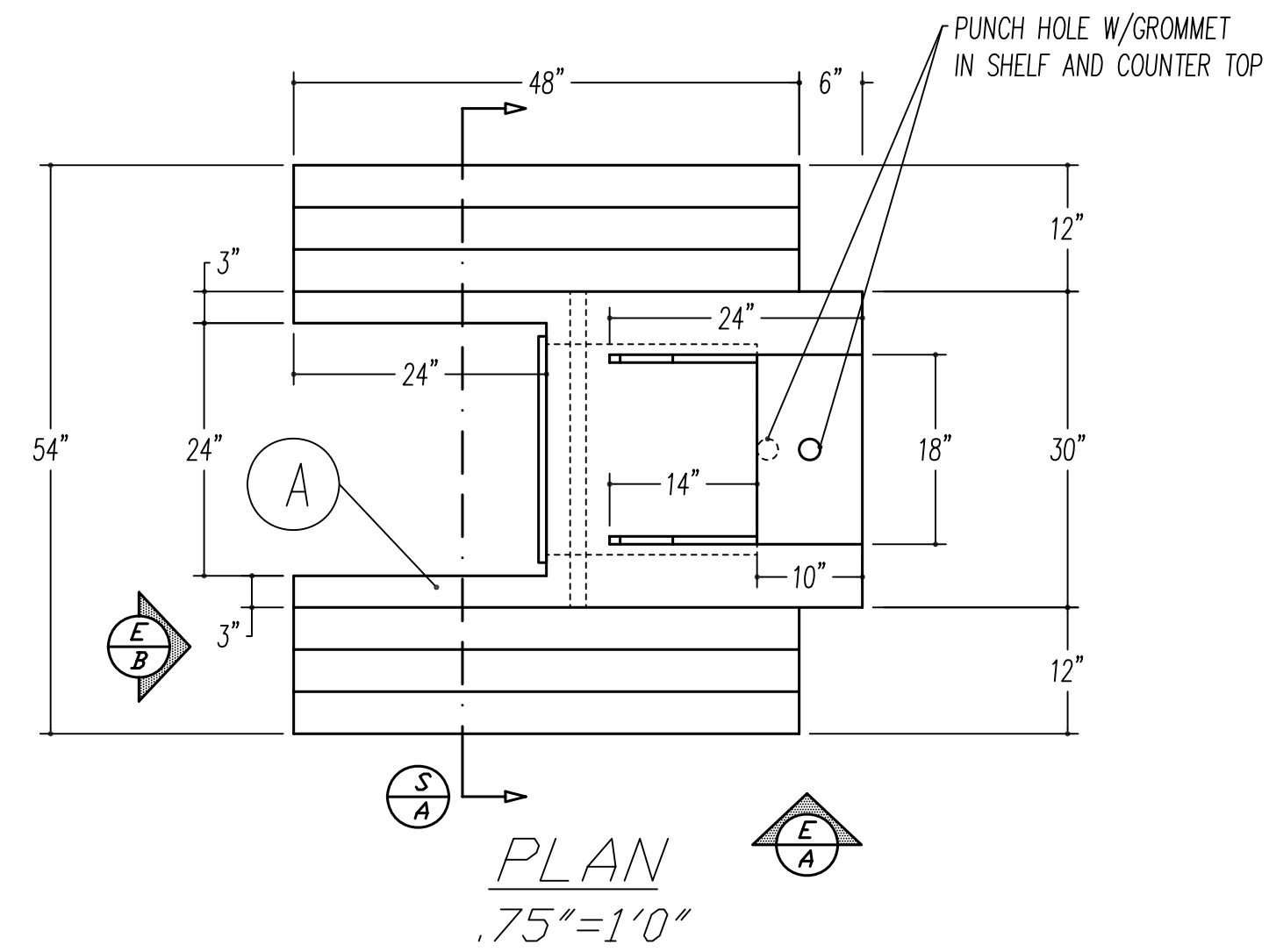
Sheet	Date	Scale	FILE	LOCATION
M-1	2.12.08	AS NOTED		
Revisions				

999 Magnolia St.  
Altamonte Springs, FL 32701  
407.331.1300 (F) 407.339.5732  
sunshinemetals@aol.com

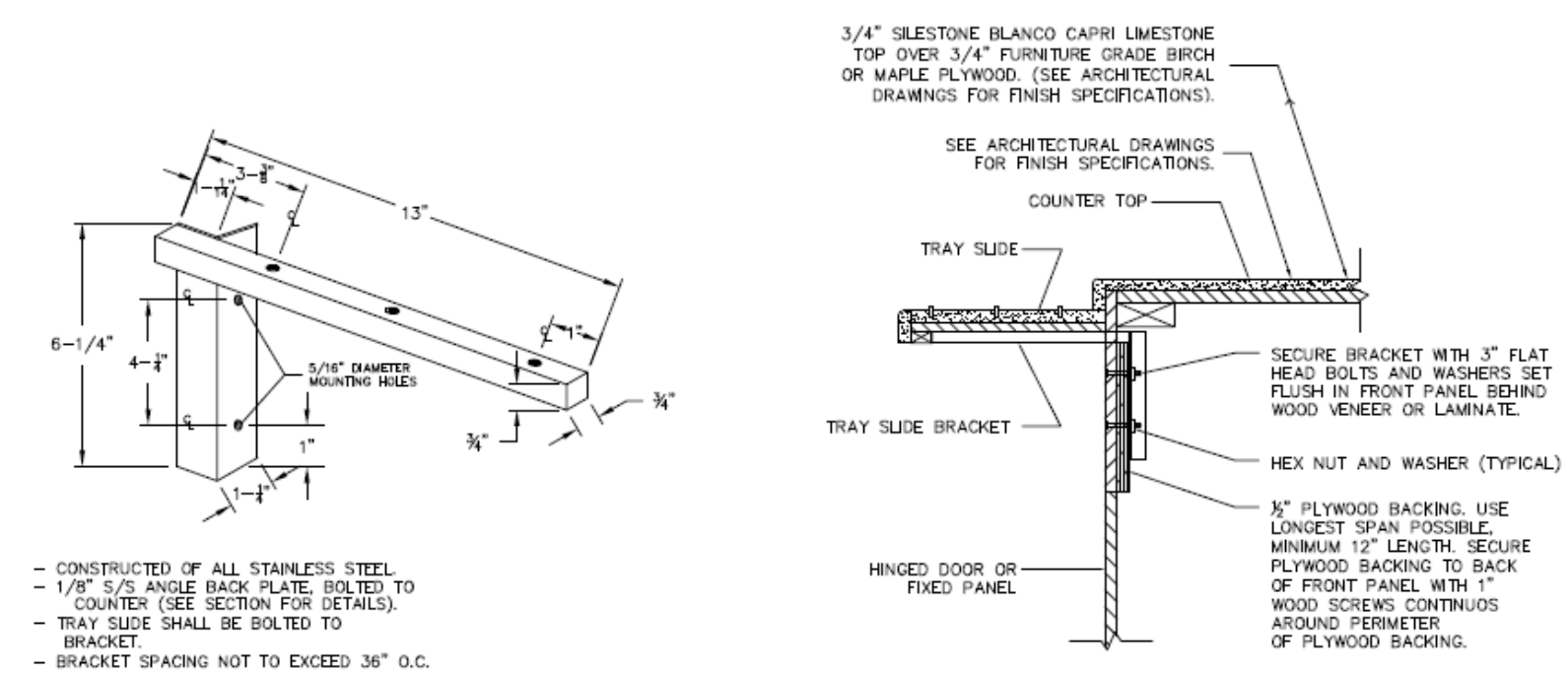
SUNSHINE  
METAL  
PRODUCTS INC



ITEM # 34  
CASHIER COUNTER



TRAY RAIL DETAILS



CONSTRUCTION NOTES

- A - .75" SILESTONE BLANCO CAPRI Limestone TOP OVER .75" FURNITURE GRADE BIRCH OR MAPLE PLYWOOD. IF SPLASH IS REQUIRED, IT IS TO BE .75" SILESTONE BLANCO CAPRI Limestone POST FORMED TO Limestone TOP
- B - COVE TILE FLOOR (BY G.C.) OVER 4" WOOD FRAME BASE. (PERMIETER)
- C - VERIFY AND COORDINATE HARDWARE WITH ARCHITECT
- D - PLASTIC LAMINATE (VERIFY STYLE) OVER .75" FURNITURE GRADE BIRCH OR MAPLE PLYWOOD HINGED DOORS W/LOCKS
- E - PLASTIC LAMINATE (VERIFY STYLE) OVER .75" FURNITURE GRADE BIRCH OR MAPLE PLYWOOD (TYPICAL ALL EXTERIOR EXPOSED SURFACES AND ALL INTERIOR SURFACES)
- F - PLASTIC LAMINATE (VERIFY STYLE) OVER .75" FURNITURE GRADE BIRCH OR MAPLE PLYWOOD ADJUSTABLE SHELVES WITH S/S SHELF STANDARDS
- G - PLASTIC LAMINATE (VERIFY STYLE) OVER .75" FURNITURE GRADE BIRCH OR MAPLE PLYWOOD FIXED SHELF ATTACHED TO CABINET SIDES WITH DADO
- H - .75" SILESTONE BLANCO CAPRI Limestone TOP OVER .75" FURNITURE GRADE BIRCH OR MAPLE PLYWOOD TRAYSIDE WITH S/S BRACKET

Sheet	Date	Scale	FILE	LOCATION
M-2	2.12.08	AS NOTED		
Revisions				

999 Magnolia St.  
Altamonte Springs, FL 32701  
407.331.1300 (F) 407.339.5732  
sunshinemetals@aol.com

SUNSHINE  
METAL  
PRODUCTS INC



EDWARD DON & CO.  
BURNHAM INSTITUTE