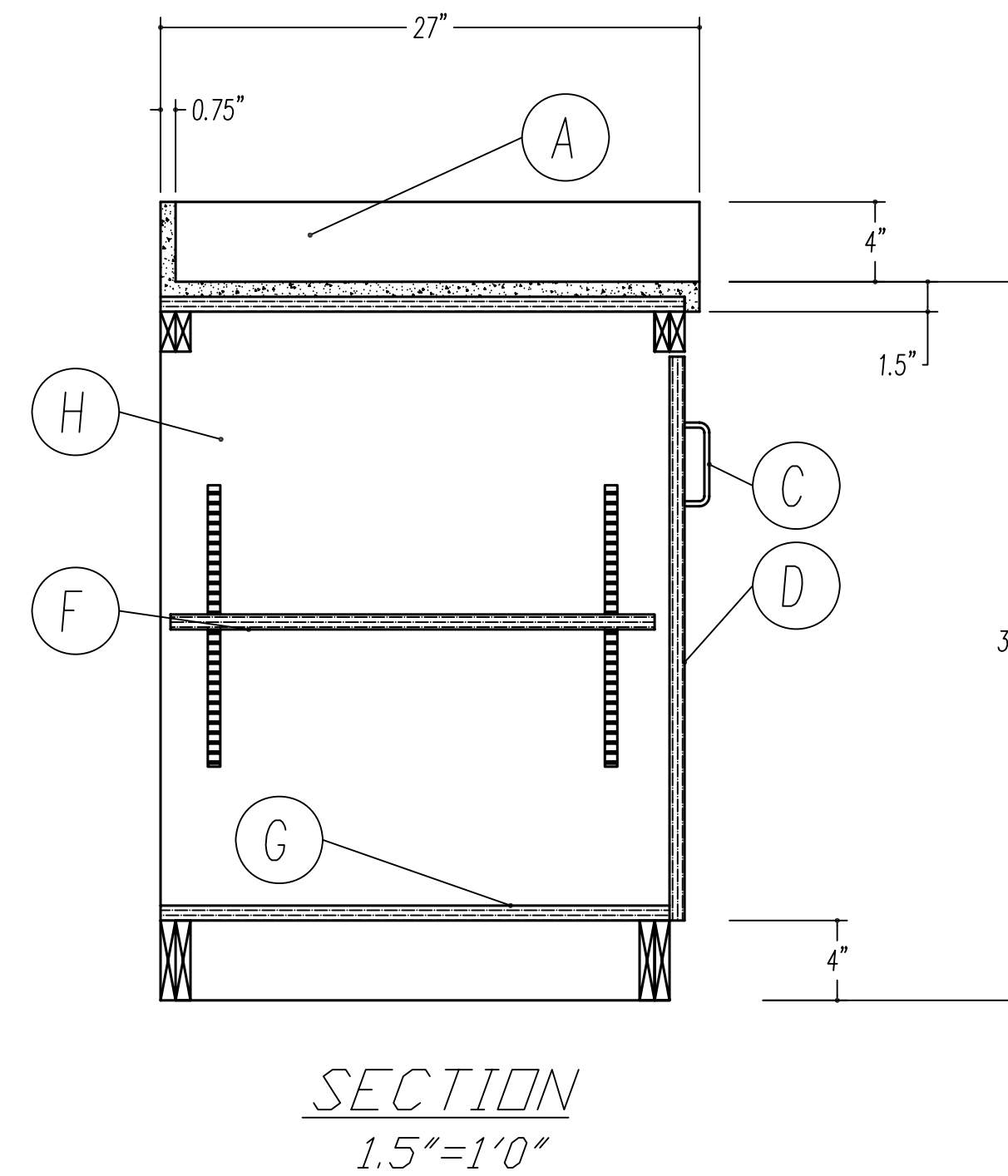
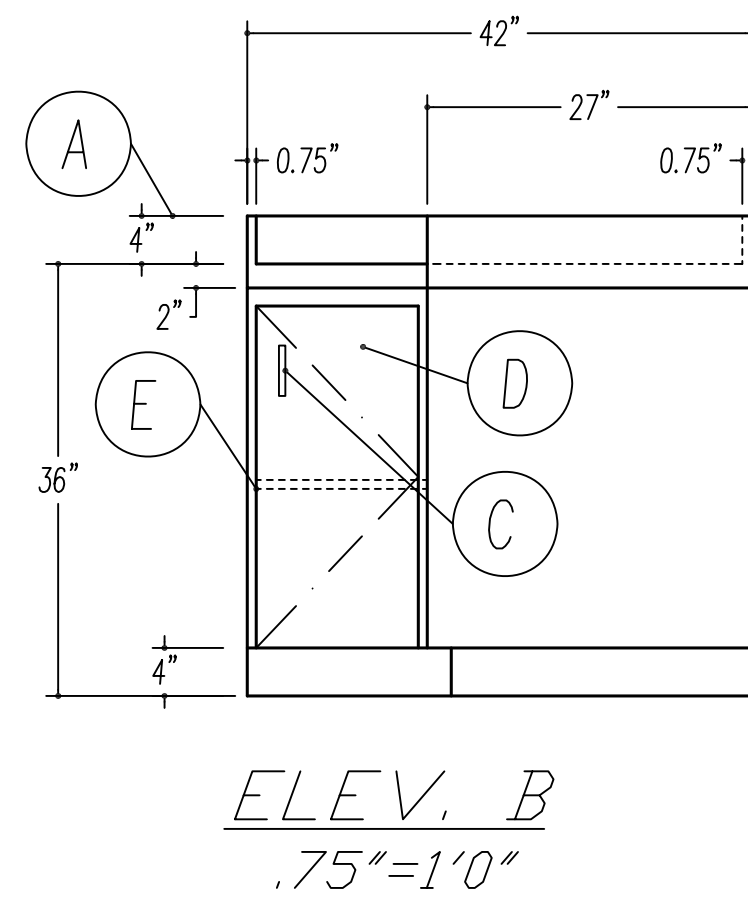
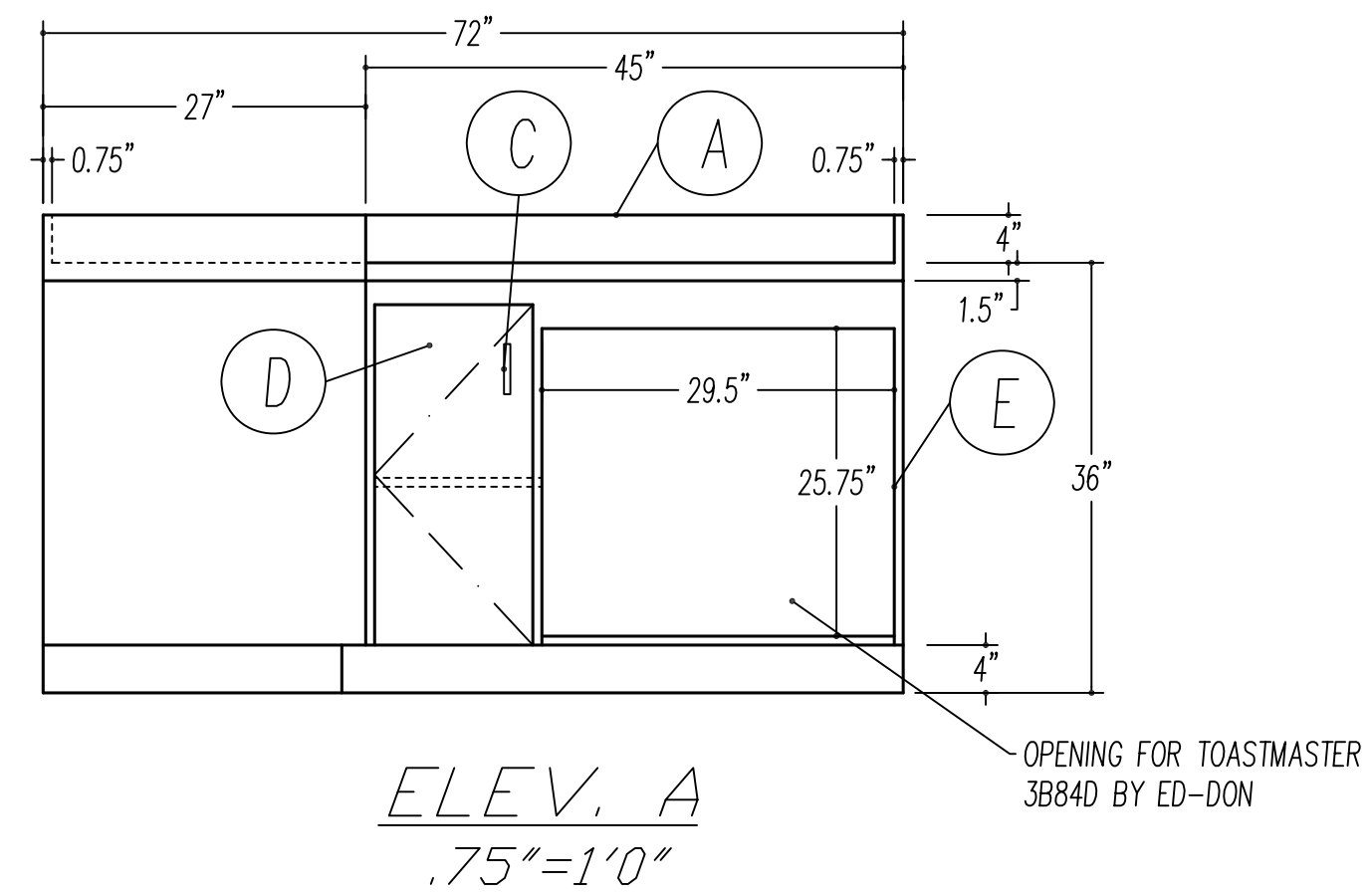


ITEM # 66
PICK-UP COUNTER



CONSTRUCTION NOTES

A - .75" GRANITE TOP OVER .75" FURNITURE GRADE BIRCH OR MAPLE PLYWOOD. IF SPLASH IS REQUIRED, IT IS TO BE .75" GRANITE POST FORMED TO GRANITE TOP

B - COVE TILE FLOOR (BY G.C.) OVER 4" WOOD FRAME BASE. (PERIMETER)

C - VERIFY AND COORDINATE HARDWARE WITH OWNER

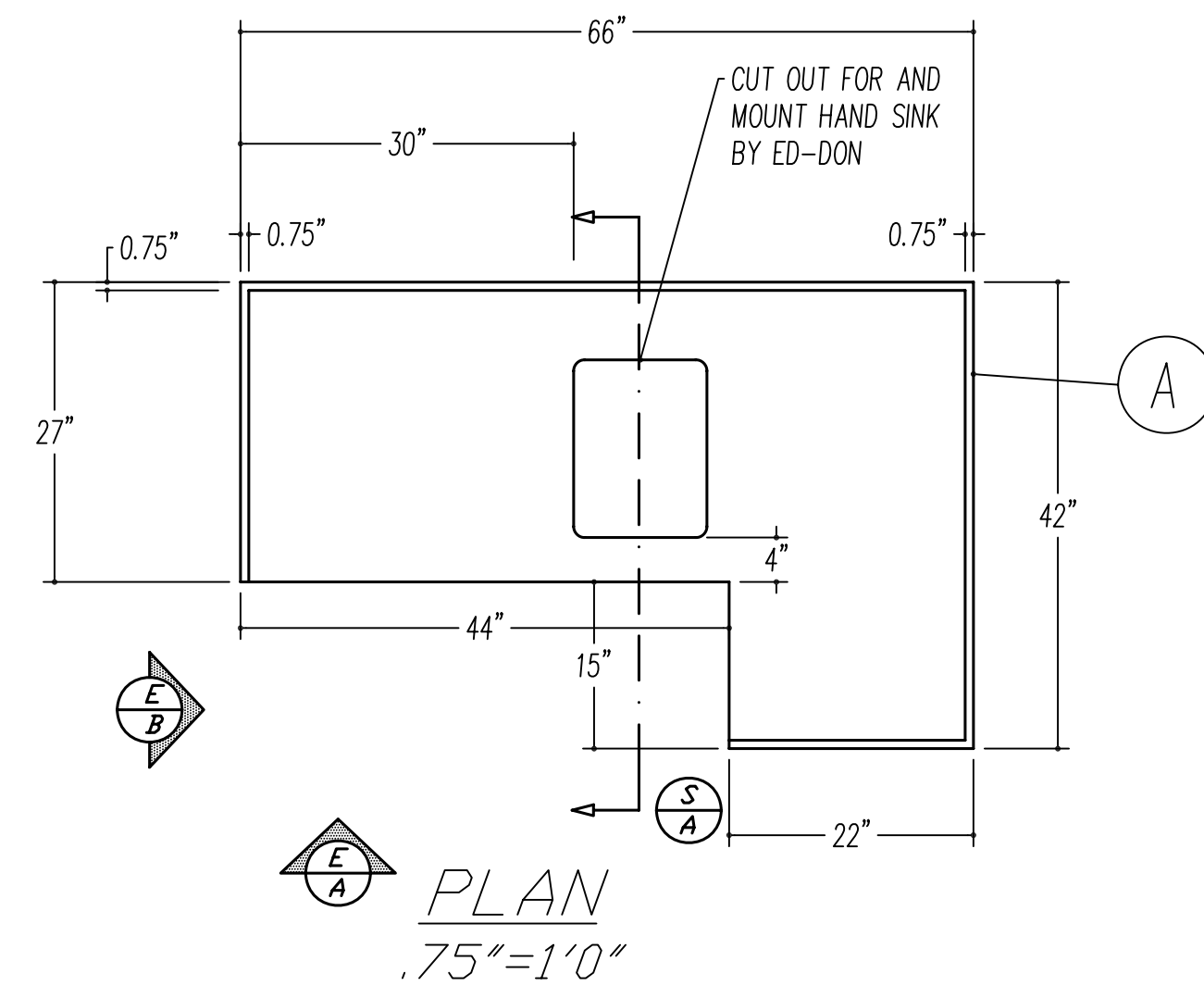
D - MAPLE VENEER (VERIFY FINISH) OVER .75" FURNITURE GRADE BIRCH OR MAPLE PLYWOOD HINGED DOORS W/LOCKS

E - MAPLE VENEER (VERIFY FINISH) OVER .75" FURNITURE GRADE BIRCH OR MAPLE PLYWOOD (TYPICAL ALL EXTERIOR EXPOSED SURFACES)

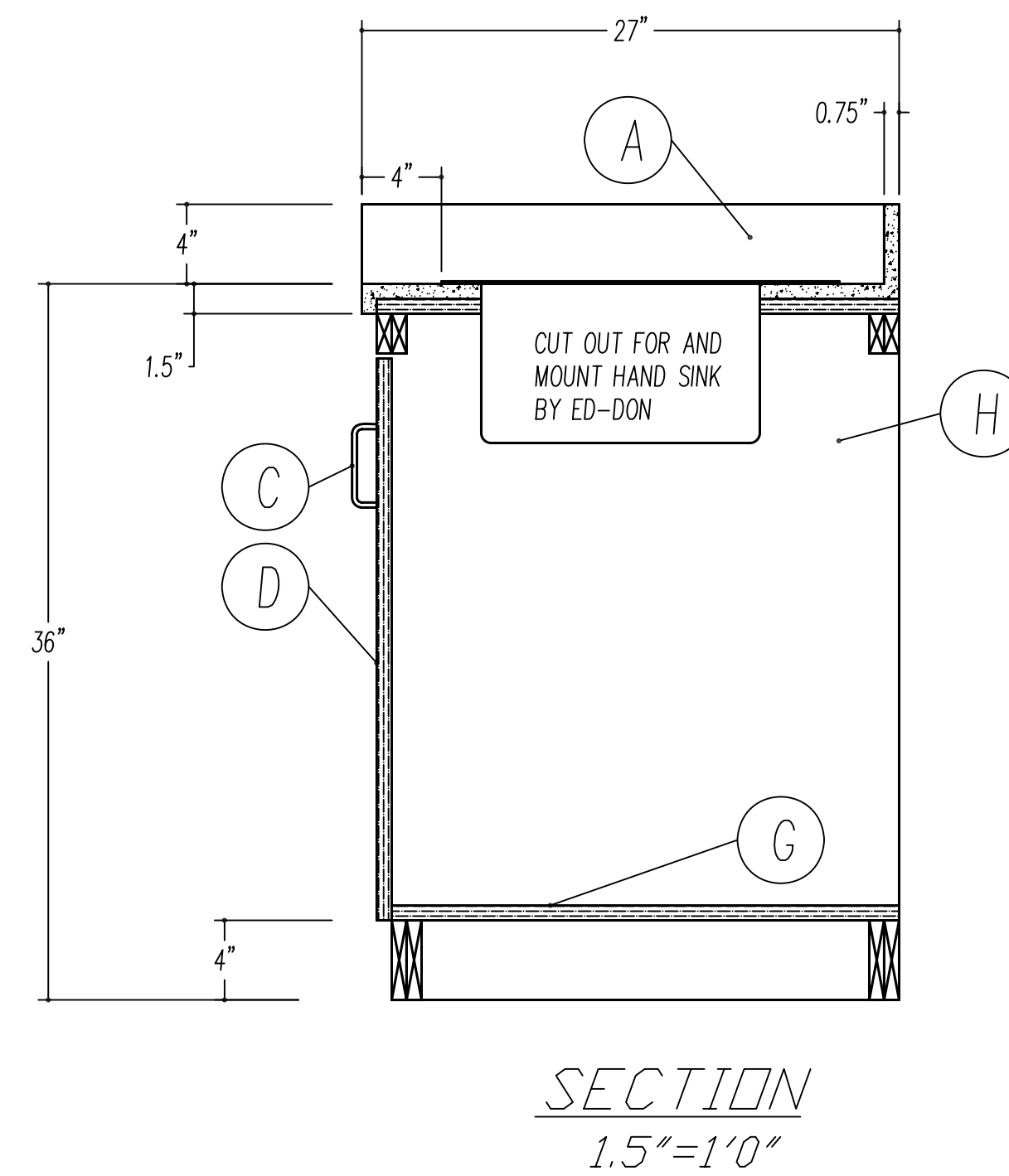
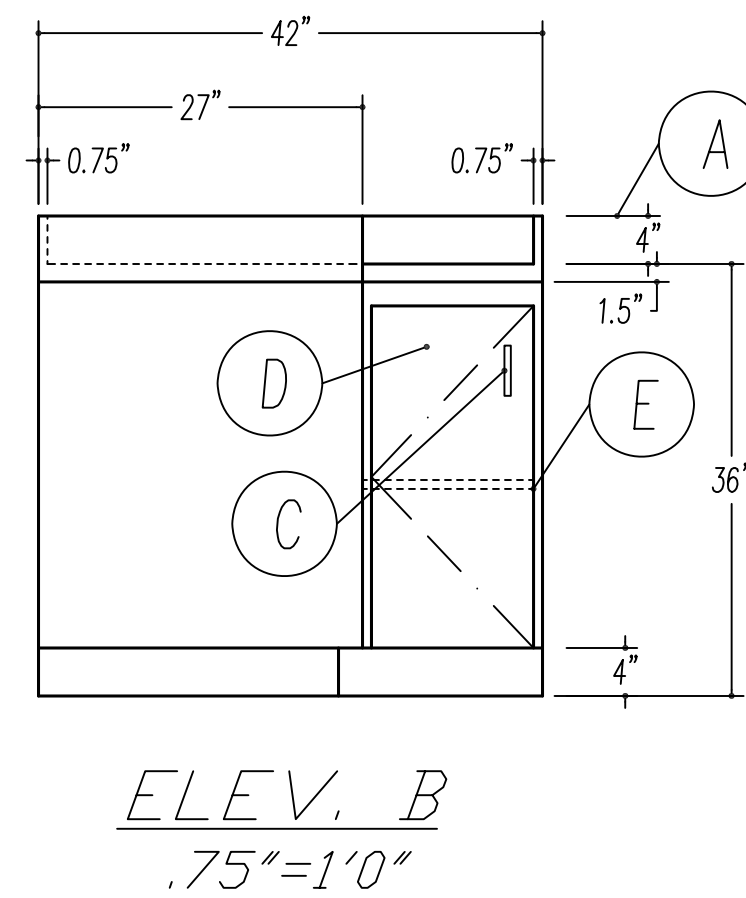
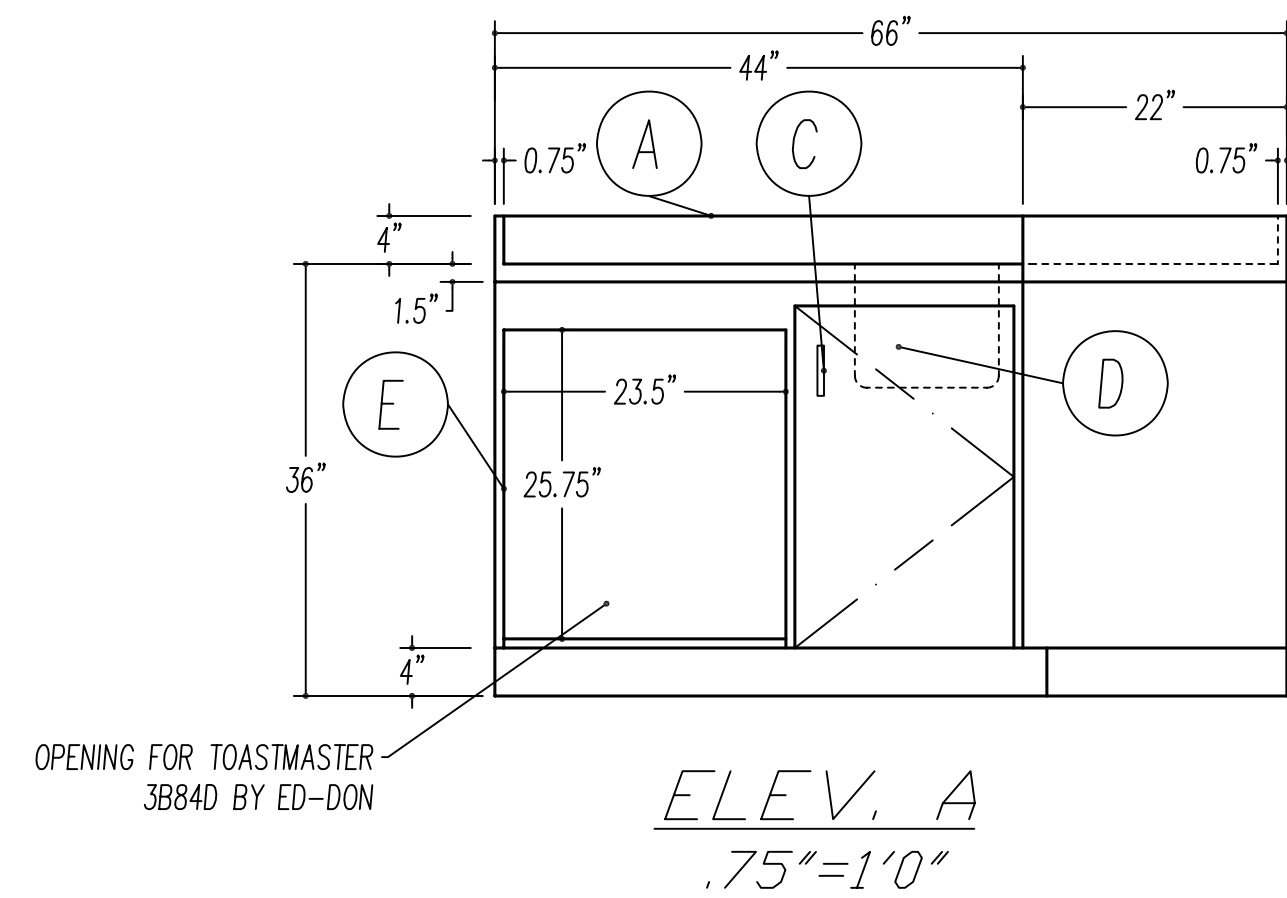
F - PLASTIC LAMINATE (VERIFY STYLE) OVER .75" FURNITURE GRADE BIRCH OR MAPLE PLYWOOD ADJUSTABLE SHELVES WITH S/S SHELF STANDARDS

G - PLASTIC LAMINATE (VERIFY STYLE) OVER .75" FURNITURE GRADE BIRCH OR MAPLE PLYWOOD FIXED SHELF ATTACHED TO CABINET SIDES WITH DADO

H - PLASTIC LAMINATE (VERIFY STYLE) OVER .75" FURNITURE GRADE BIRCH OR MAPLE PLYWOOD ALL INTERIOR SURFACES AND WALL SHELVES



ITEM # 69
PICK-UP COUNTER



Sheet	Date	Scale	FILE	LOCATION
M1	1.4.08	AS NOTED		

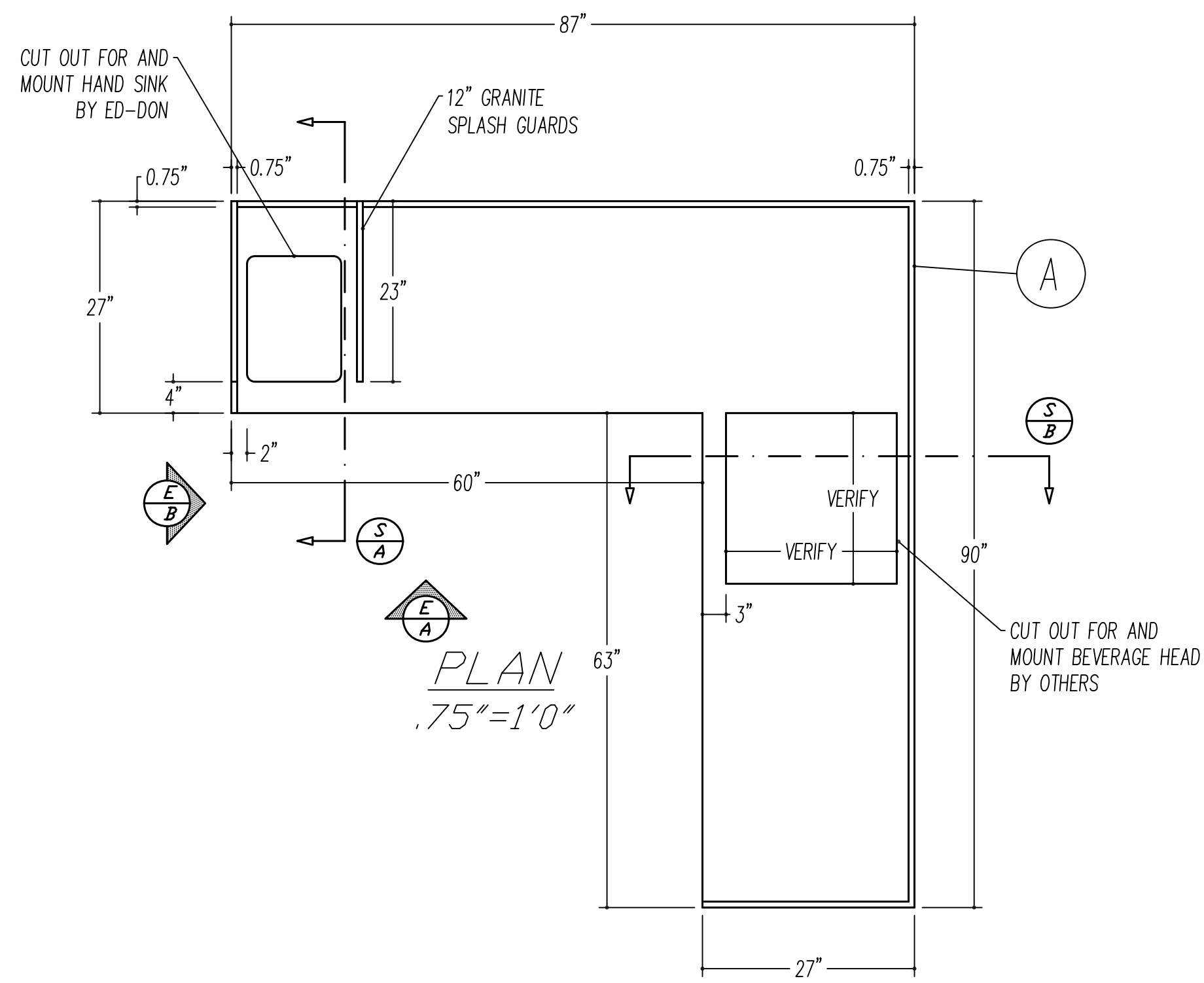
Revisions

SUNSHINE METAL PRODUCTS INC

999 Magnolia St.
Altamonte Springs, FL 32701
407.331.1300 (F) 407.339.5732
sunshinemetals@aol.com



EDWARD DON & CO.
SAM SNEADS



ITEM B01
BEVERAGE COUNTER

CONSTRUCTION NOTES

A - .75" GRANITE TOP OVER .75" FURNITURE GRADE BIRCH OR MAPLE PLYWOOD. IF SPLASH IS REQUIRED, IT IS TO BE .75" GRANITE POST FORMED TO GRANITE TOP

B - COVE TILE FLOOR (BY G.C.) OVER 4" WOOD FRAME BASE. (PERIMETER)

C - VERIFY AND COORDINATE HARDWARE WITH OWNER

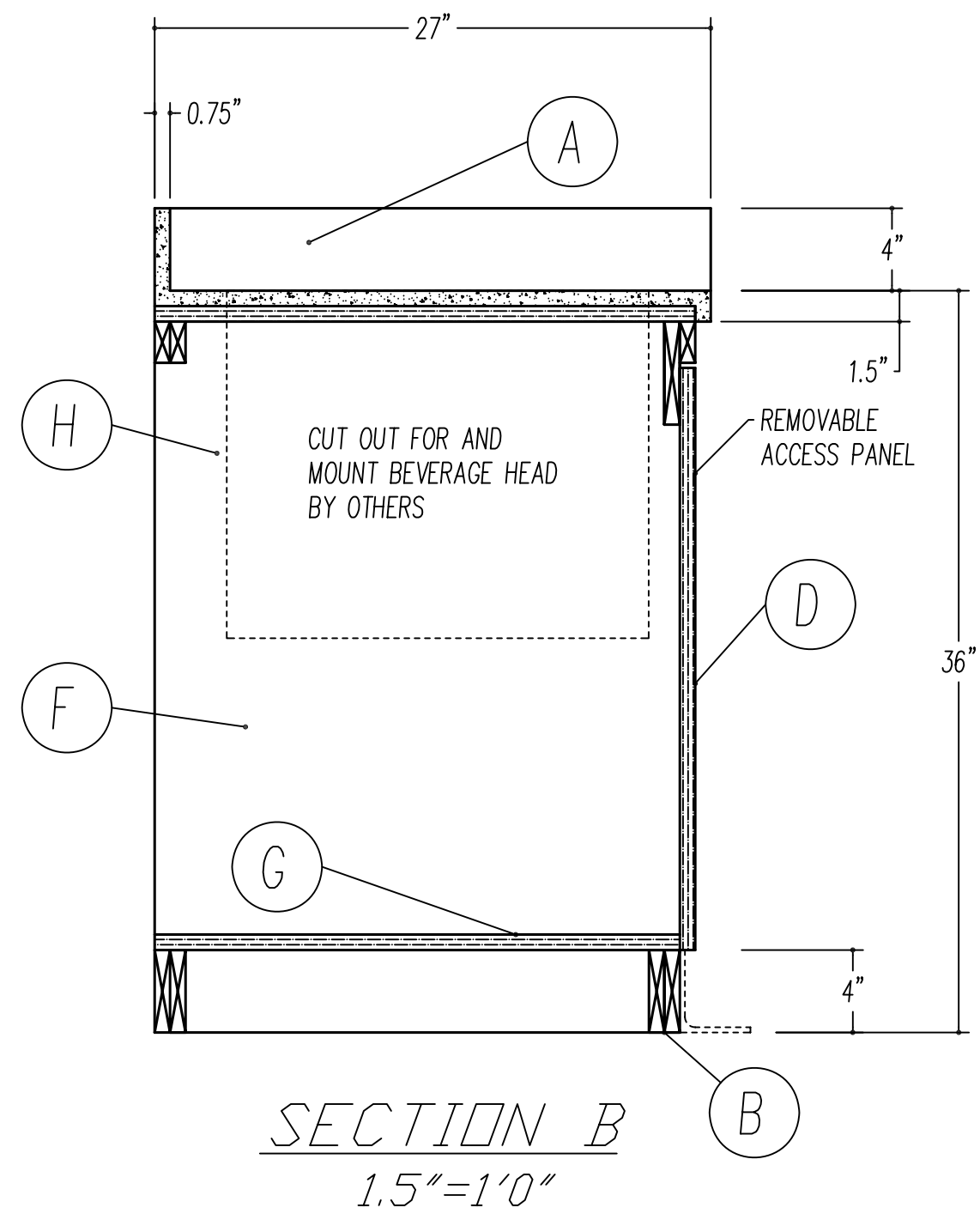
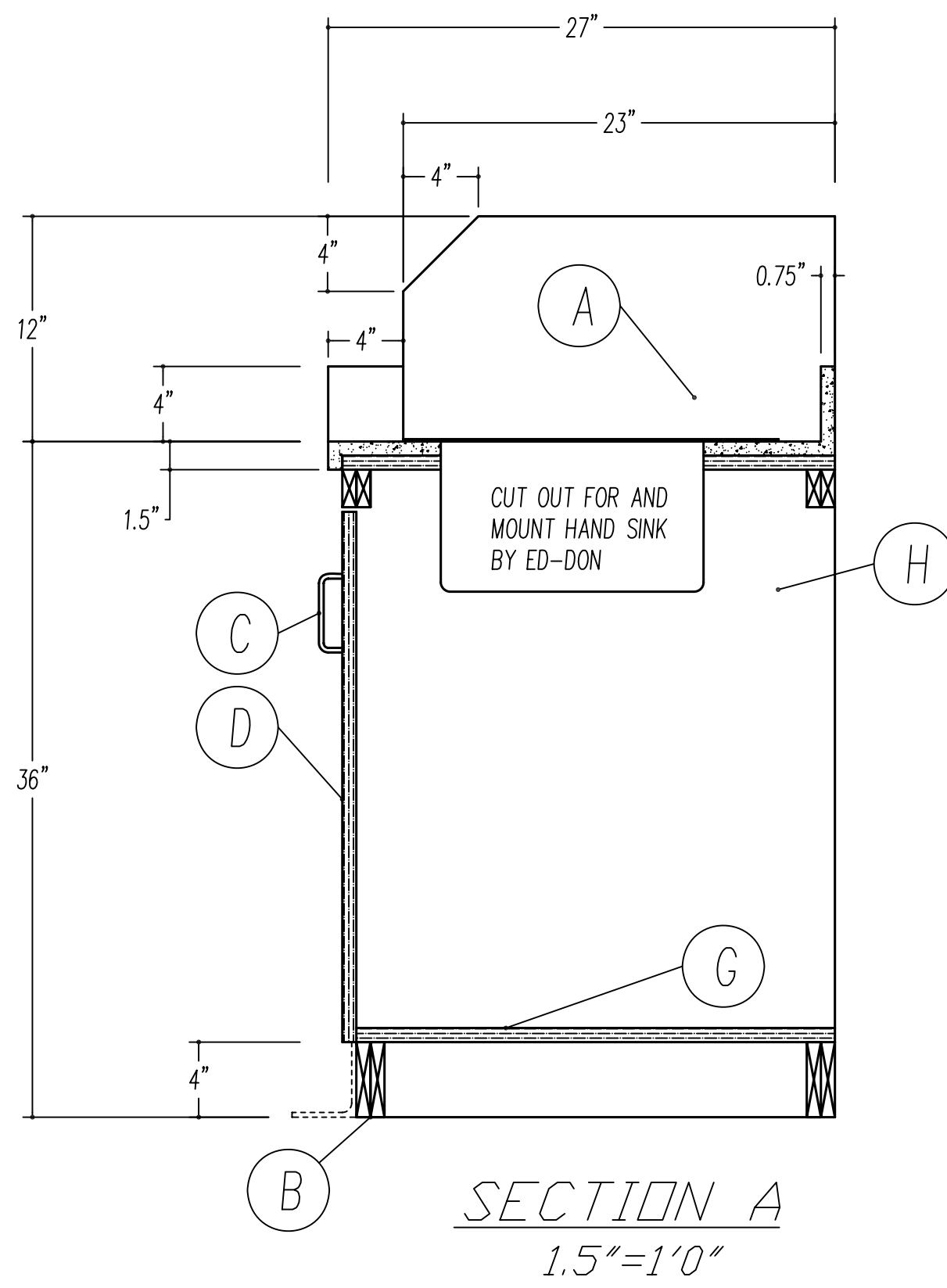
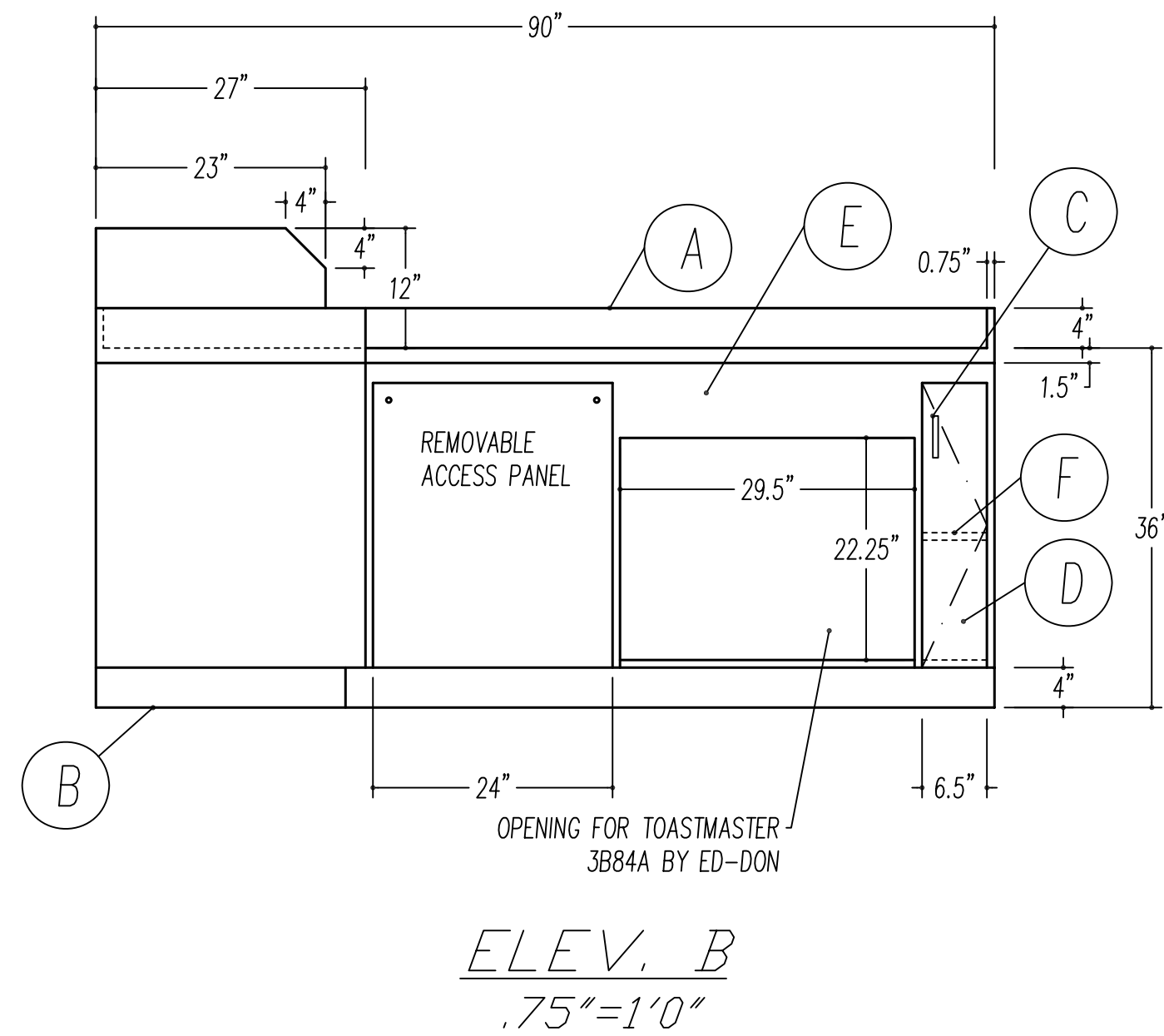
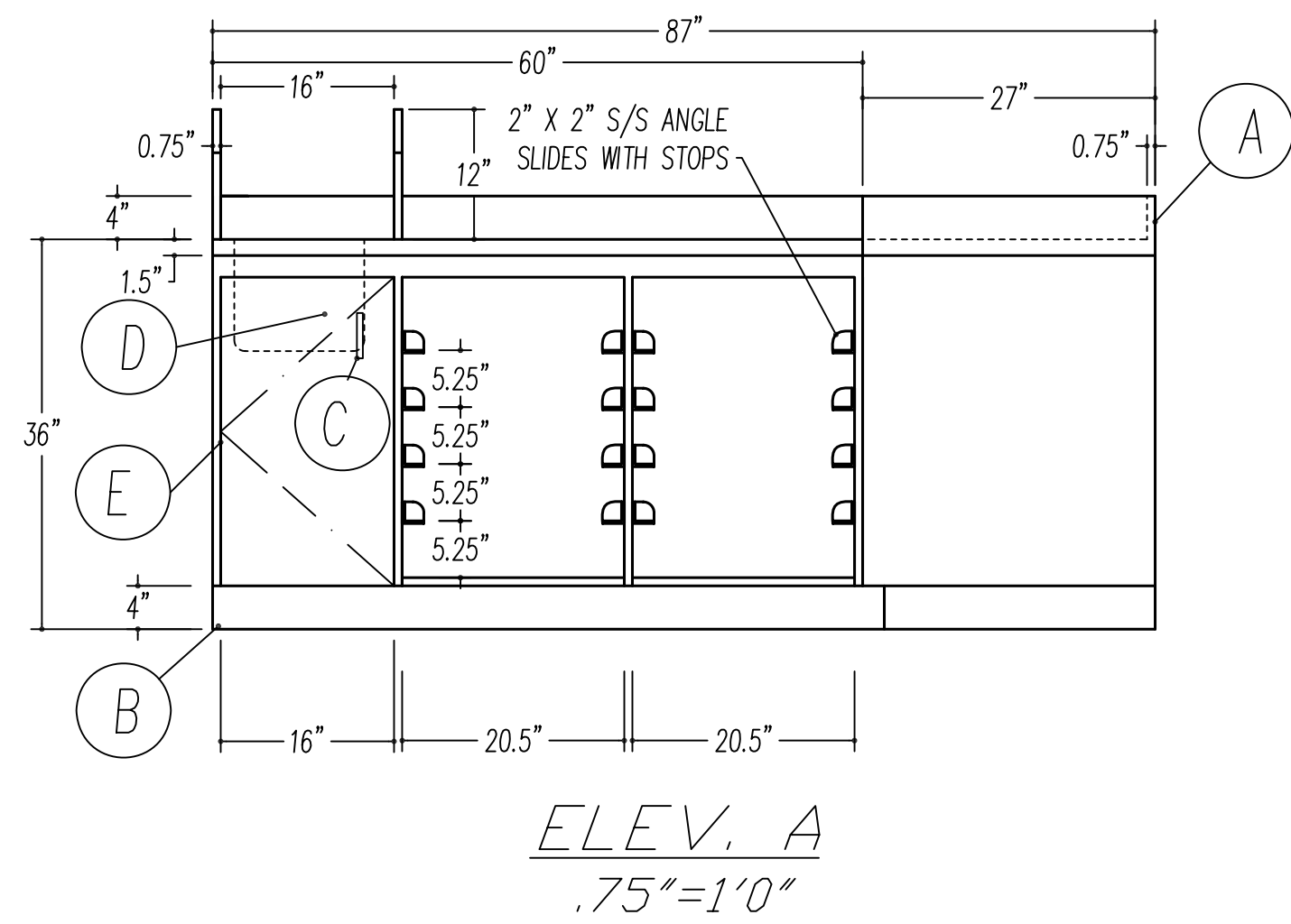
D - MAPLE VENEER (VERIFY FINISH) OVER .75" FURNITURE GRADE BIRCH OR MAPLE PLYWOOD HINGED DOORS W/LOCKS

E - MAPLE VENEER (VERIFY FINISH) OVER .75" FURNITURE GRADE BIRCH OR MAPLE PLYWOOD (TYPICAL ALL EXTERIOR EXPOSED SURFACES)

F - PLASTIC LAMINATE (VERIFY STYLE) OVER .75" FURNITURE GRADE BIRCH OR MAPLE PLYWOOD ADJUSTABLE SHELVES WITH S/S SHELF STANDARDS

G - PLASTIC LAMINATE (VERIFY STYLE) OVER .75" FURNITURE GRADE BIRCH OR MAPLE PLYWOOD FIXED SHELF ATTACHED TO CABINET SIDES WITH DADO

H - PLASTIC LAMINATE (VERIFY STYLE) OVER .75" FURNITURE GRADE BIRCH OR MAPLE PLYWOOD ALL INTERIOR SURFACES AND WALL SHELVES



Sheet	Date	Scale	FILE	LOCATION
M3	1.4.08	AS NOTED		
Revisions				

999 Magnolia St.
Altamonte Springs, FL 32701
407.331.1300 (F) 407.339.5732
sunshinemetals@aol.com

SUNSHINE
METAL
PRODUCTS INC



EDWARD DON & CO.
SAM SNEADS