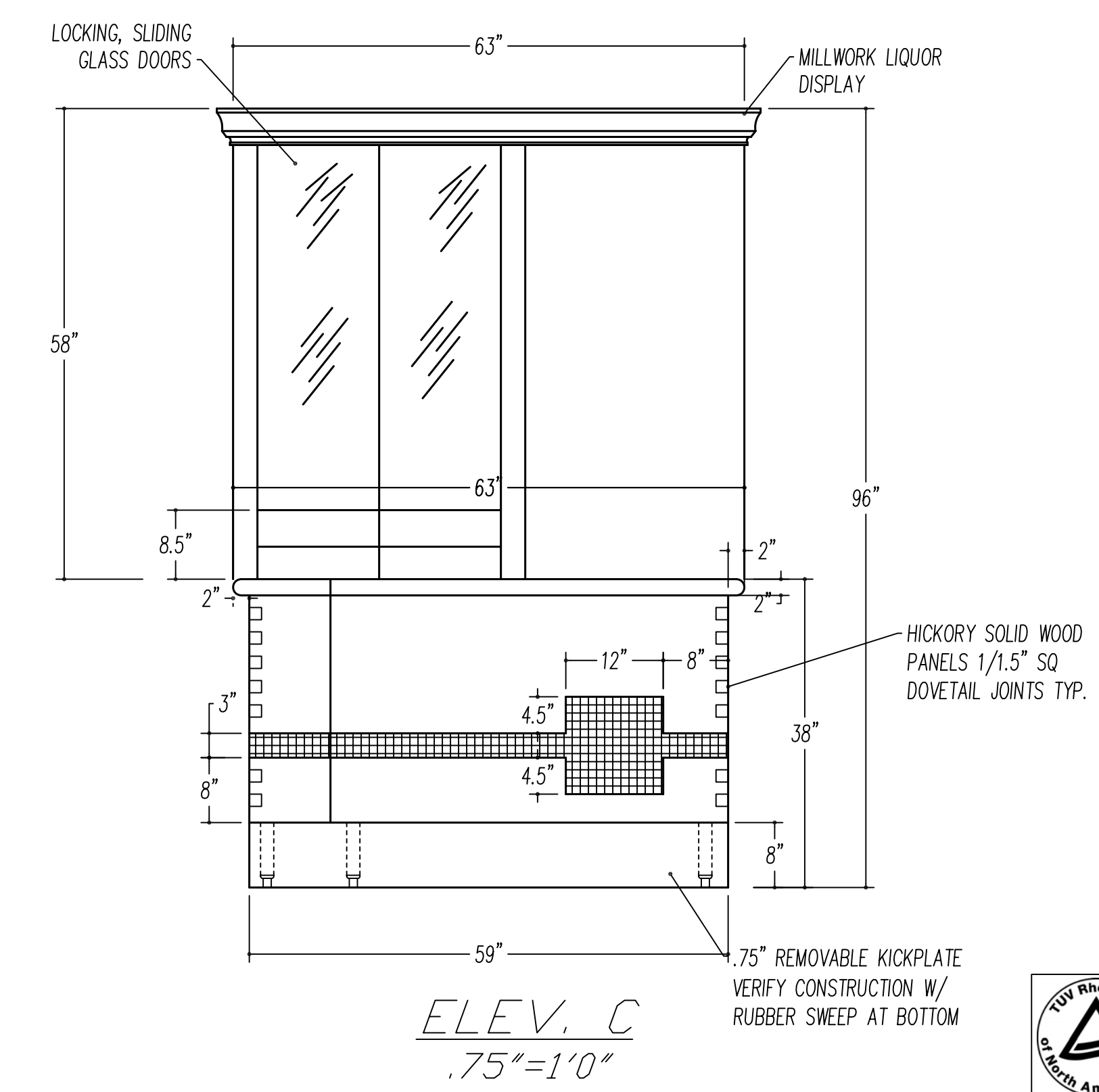
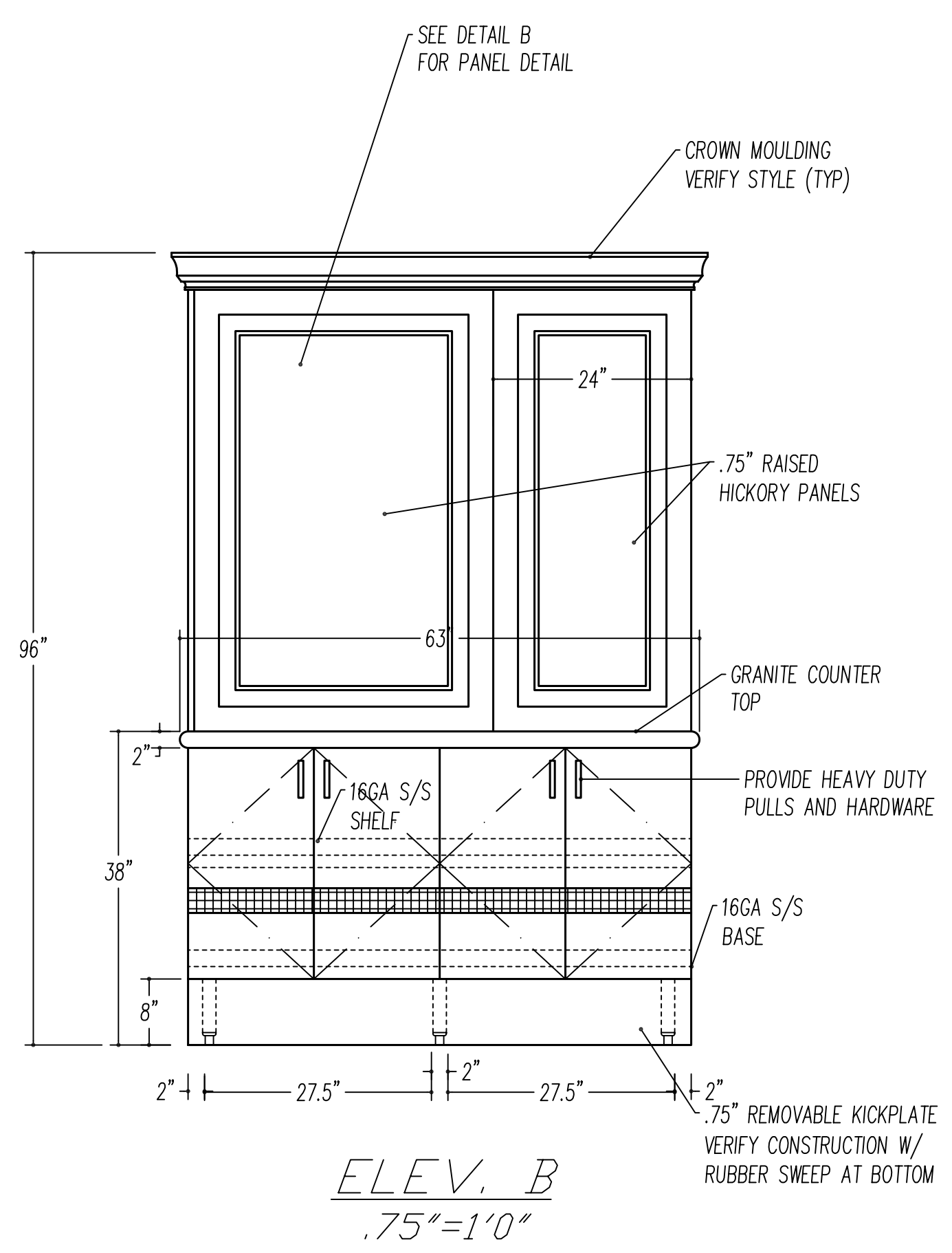
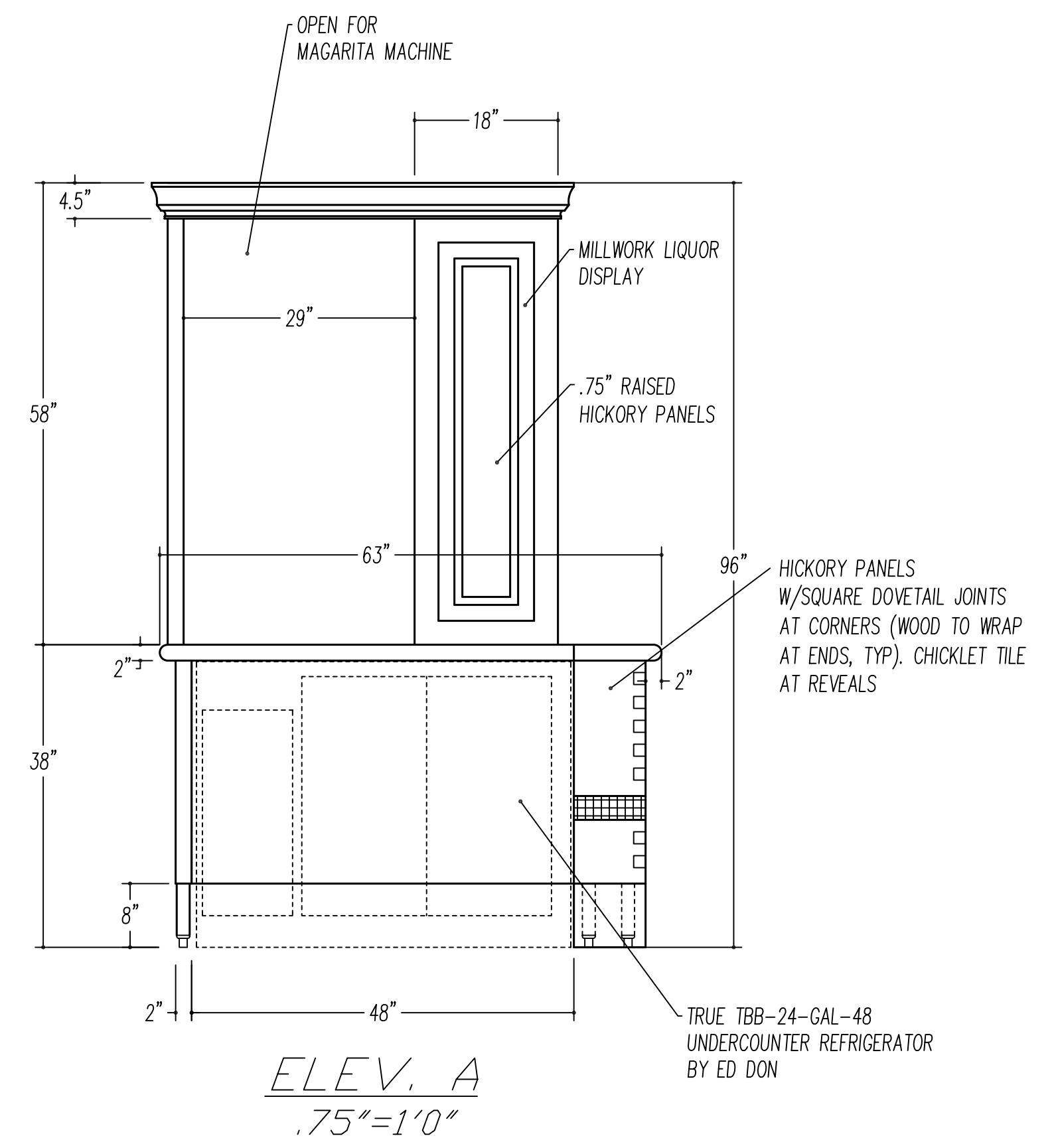
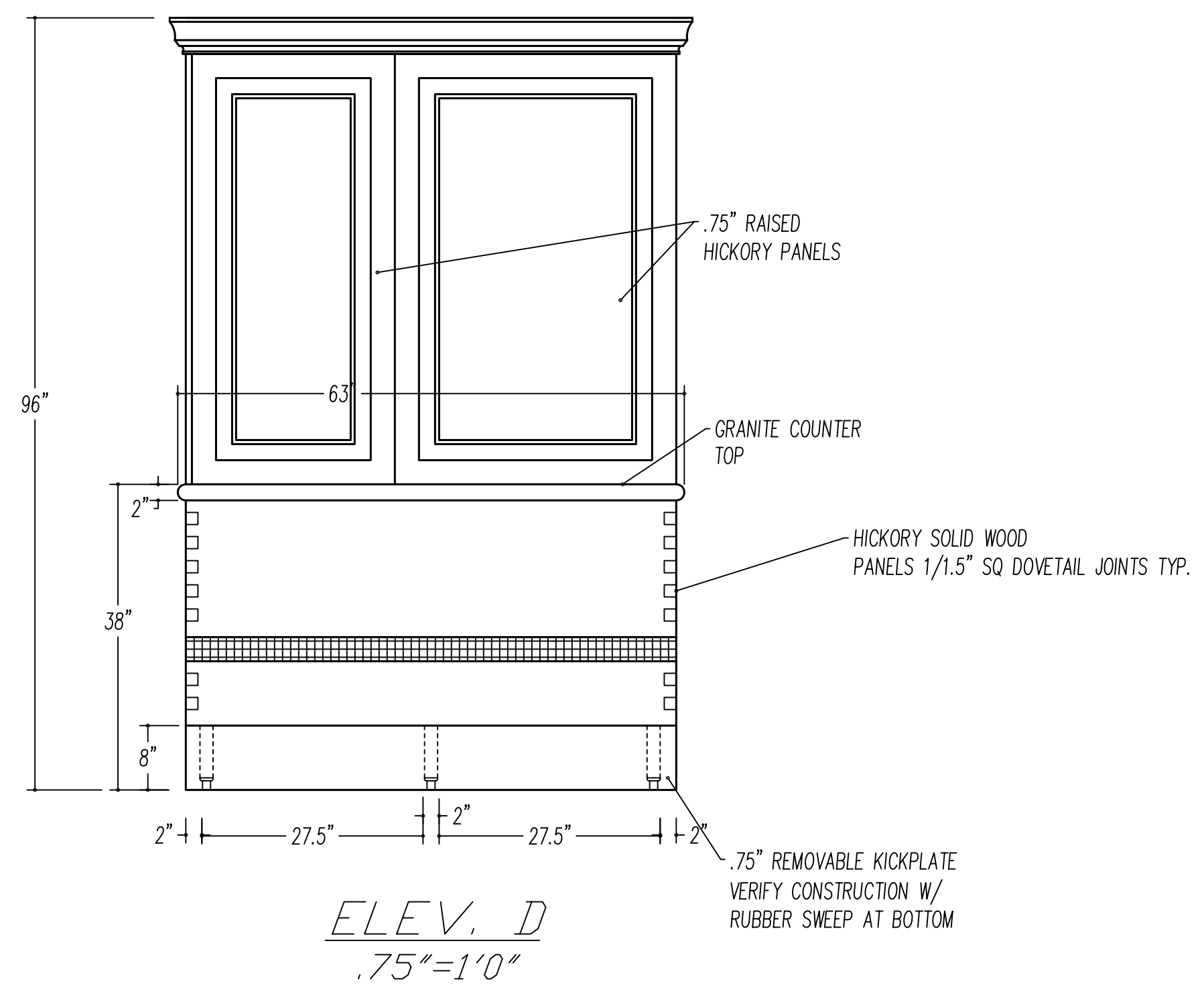
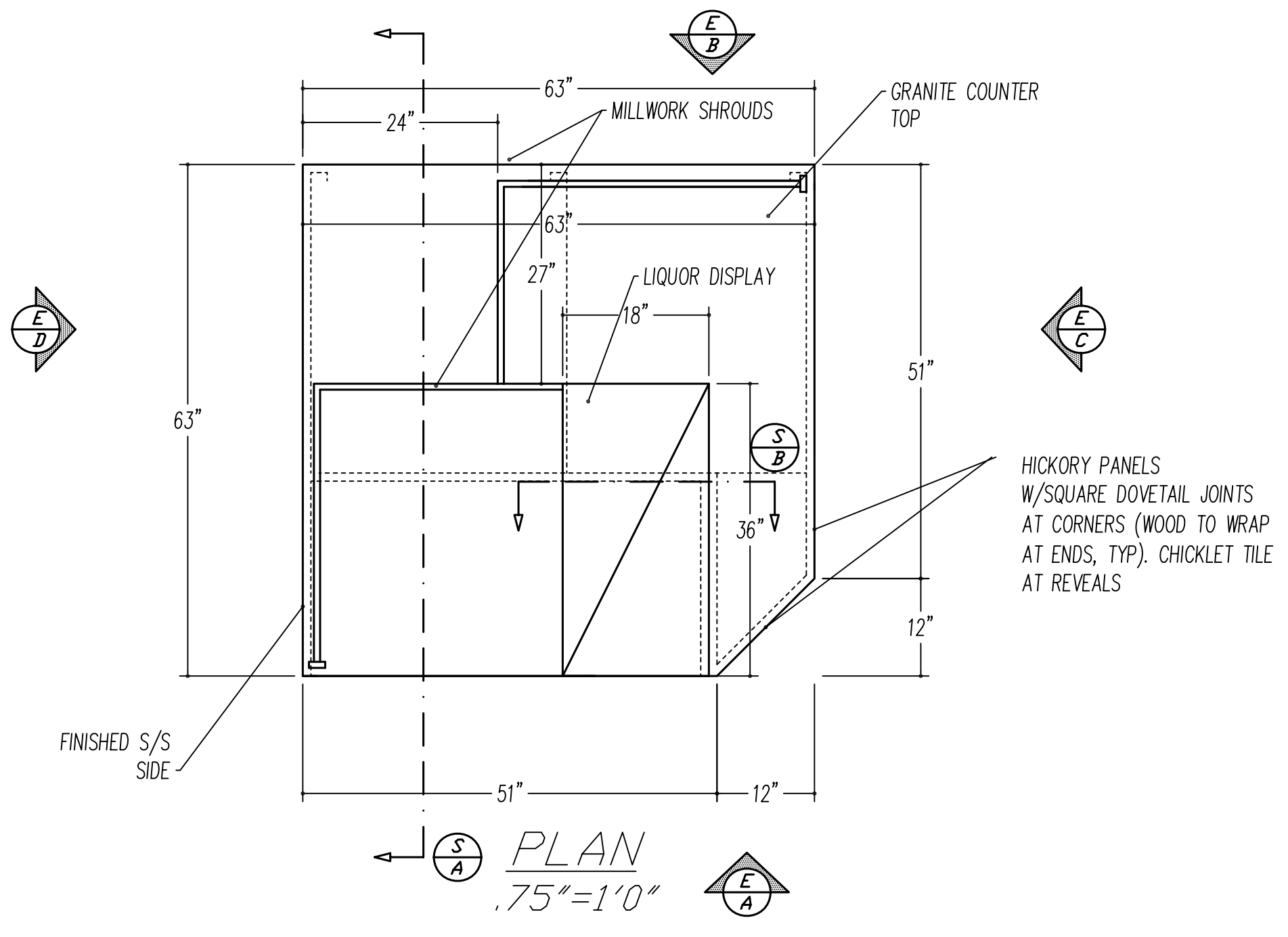


ITEM #1
WORK COUNTER
W/LIQUOR DISPLAY

SPECIFICATIONS ITEM #1
 TOP - GRANITE W/PLYWOOD SUBTOP
 18GA S/S CABINET CONSTRUCTION
 HICKORY PANELS W/SQUARE DOVETAIL JOINTS AT CORNERS (WOOD TO WRAP AT ENDS, TYP) .5" PLYWOOD SUBSTRATE, CHICKLET TILE AT REVEALS
 LEGS - 1.625" DIA S/S TUBING W/ADJ. S/S BULLET FEET
 16GA S/S BASE AND SHELF



Sheet	1
Date	1.08.09
Scale	AS NOTED
FILE	
LOCATION	

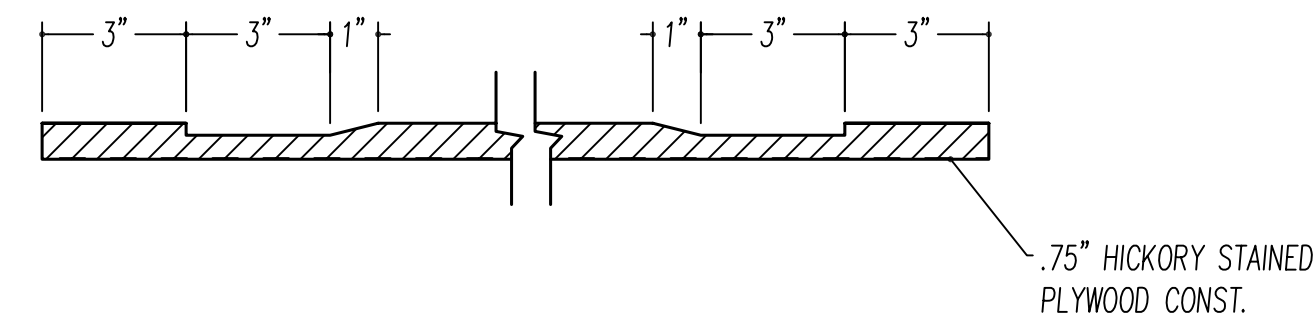
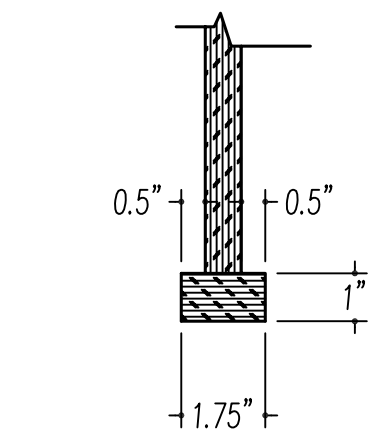
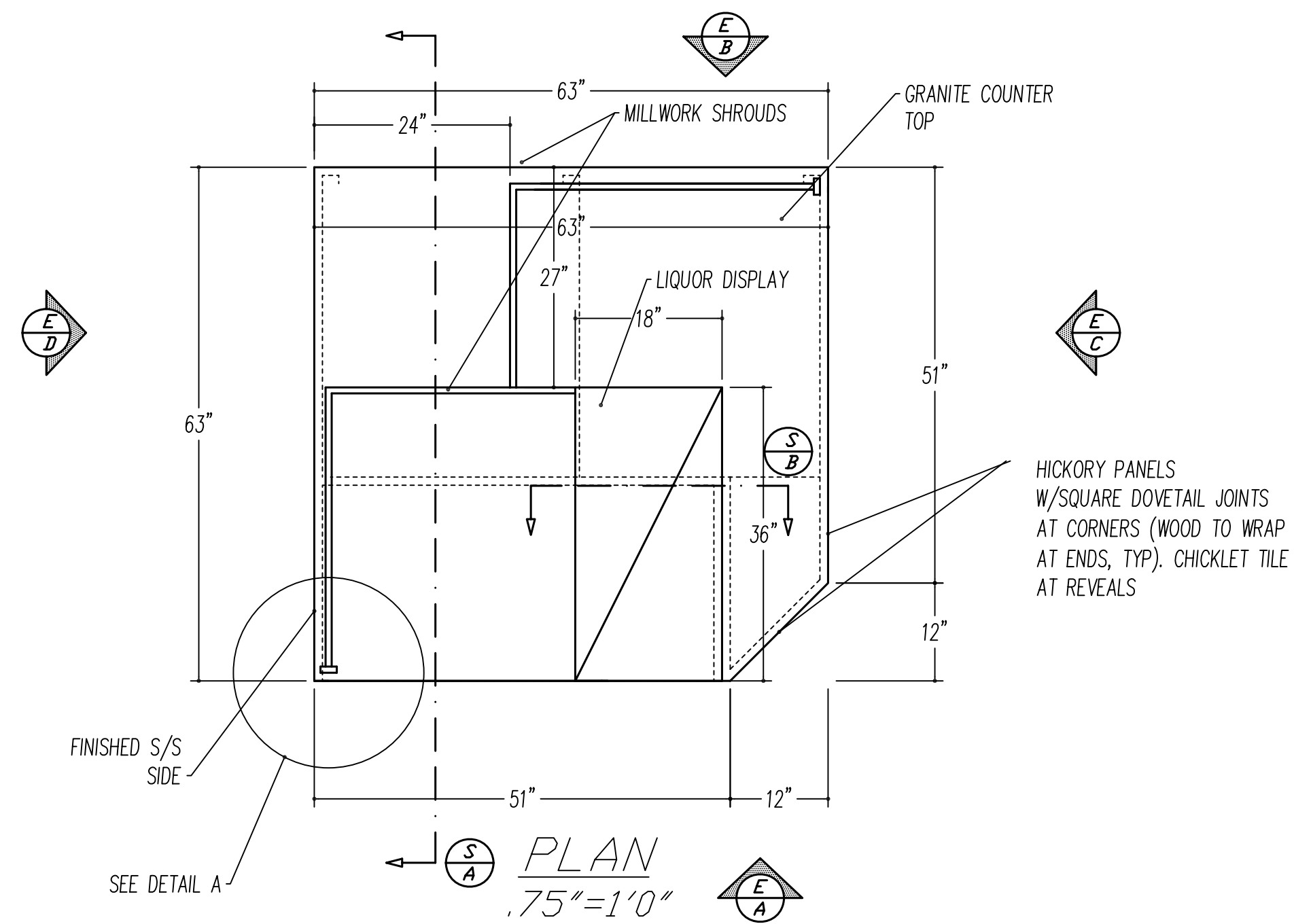
Revisions

SUNSHINE METAL PRODUCTS INC

EDWARD DON & CO.
PEPPER MARKET

999 Magnolia St.
Altamonte Springs, FL 32701
407.331.1300 (F) 407.339.5732
sunshinemetals@aol.com



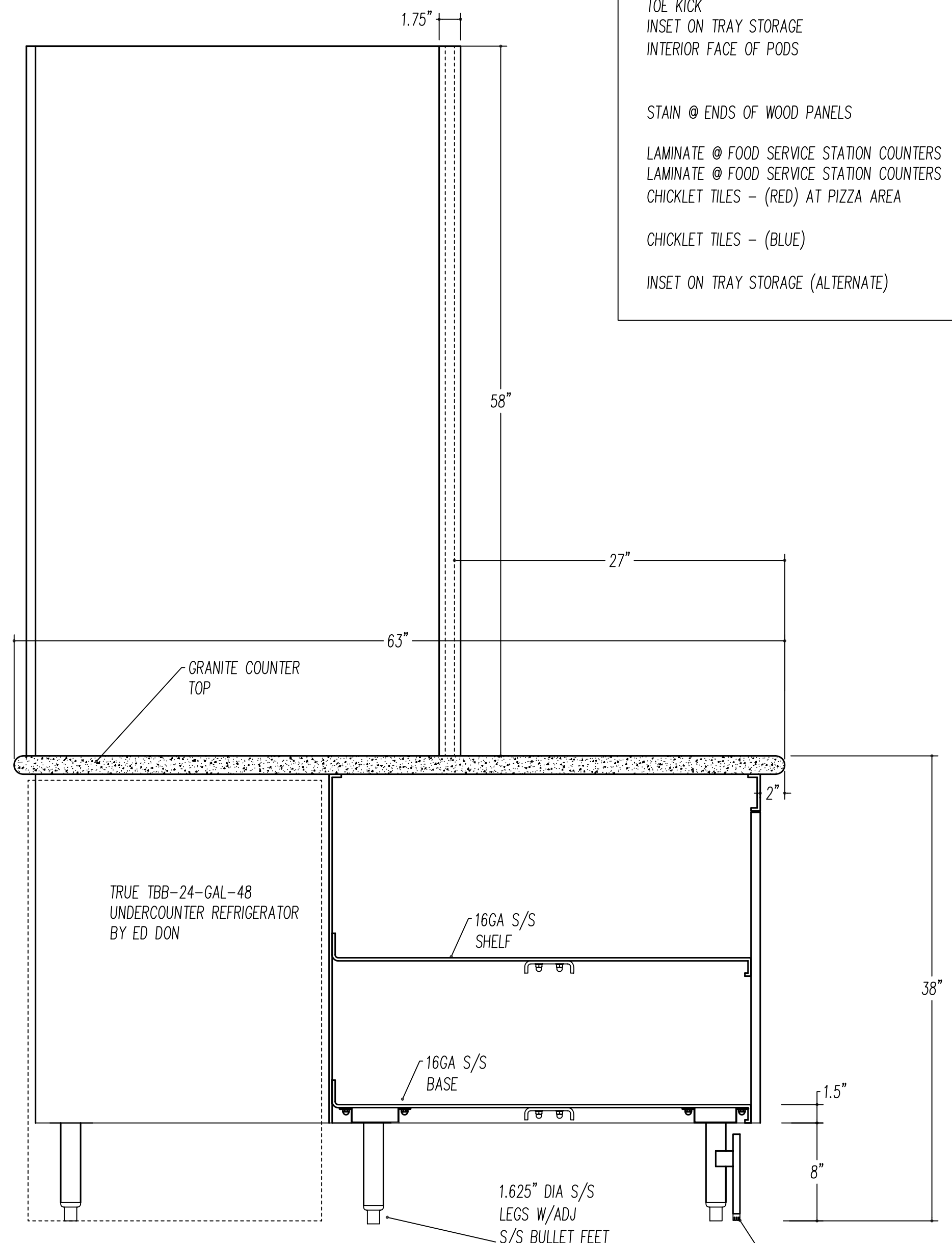
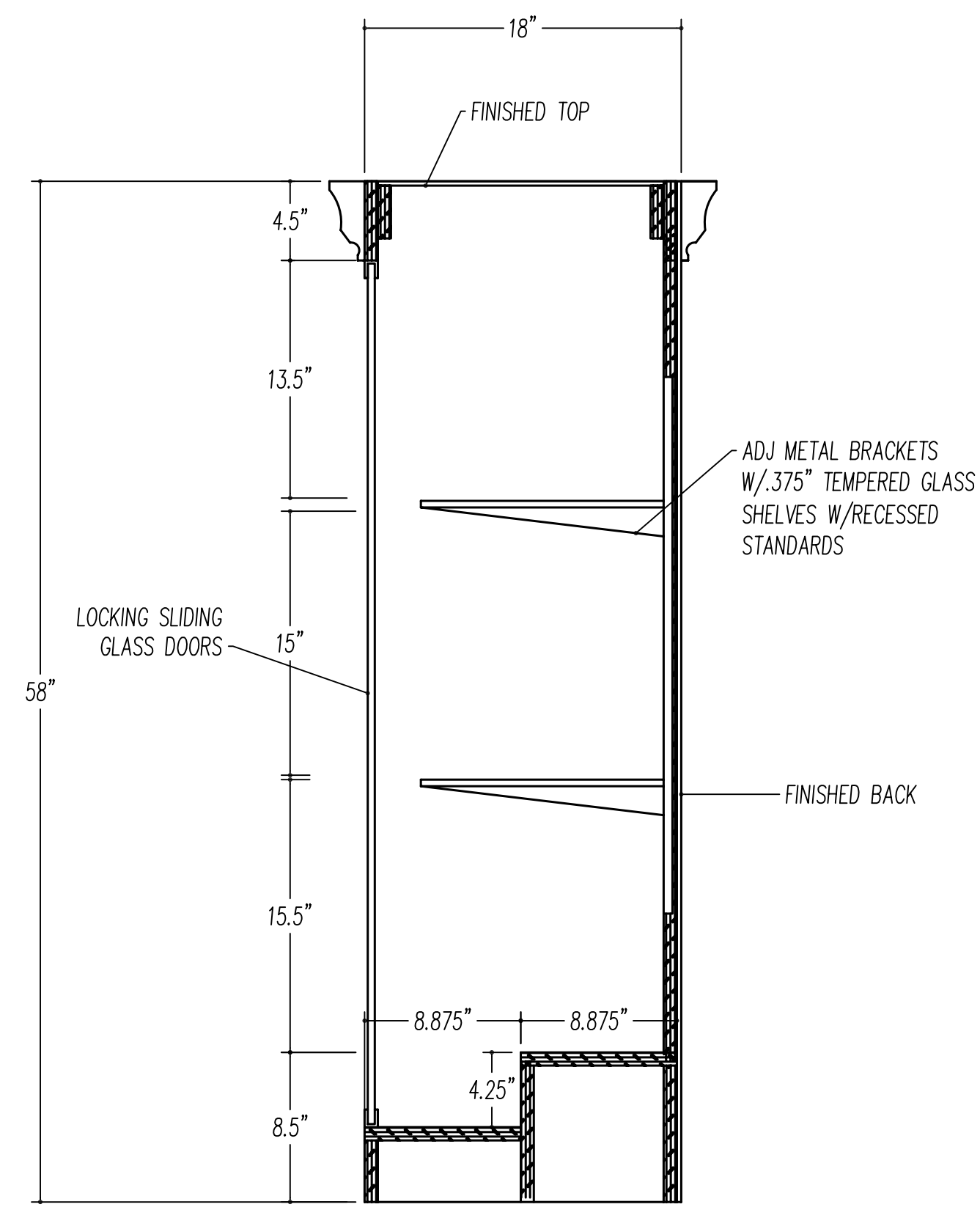


ITEM #1
WORK COUNTER
W/LIQUOR DISPLAY

SPECIFICATIONS ITEM #1
 TOP - GRANITE W/PLYWOOD SUBTOP
 18GA S/S CABINET CONSTRUCTION
 HICKORY PANELS W/SQUARE DOVETAIL JOINTS AT CORNERS (WOOD TO WRAP AT ENDS, TYP) .5" PLYWOOD SUBSTRATE, CHICKLET TILE AT REVEALS
 LEGS - 1.625" DIA S/S TUBING W/ADJ. S/S BULLET FEET
 16GA S/S BASE AND SHELF

FINISH SCHEDULE

MILLWORK PANELS FOR FOODSERVICE EQUIPMENT TRAY STORAGE	BENJAMIN MOORE MYSTIC GRANIT	STAIN WITH CLEAR COAT FINISH 3CM POLISHED GRANITE W/STRAIGHT PROFILE AND BULLNOSE EDGES	MATCH 7935-07 SHAKER CHERRY
TOE KICK INSET ON TRAY STORAGE INTERIOR FACE OF PODS	CHEMETAL CHEMETAL THOMAS LUMBER OR EQ	BRUSHED MEDIUM BRONZE ALUM. CASCADE ALUM. 1"THK HICKORY HARDWOOD W/SQ DOVETAIL JOINTS AT CORNERS	MONET/GOLDEN WAVE #925 CHARTREUSE 420CH MATCH 7935-07 SHAKER CHERRY
STAIN @ ENDS OF WOOD PANELS	THOMAS LUMBER OR EQ	1"THK HICKORY HARDWOOD	MATCH 7935-07 SHAKER CHERRY
LAMINATE @ FOOD SERVICE STATION COUNTERS	WILSONART WILSONART SPECIALTY TILE	MATTE FINISH VERICAL GRAIN INSTALL	7935-07 SHAKER CHERRY
LAMINATE @ FOOD SERVICE STATION COUNTERS CHICKLET TILES - (RED) AT PIZZA AREA	WILSONART WILSONART SPECIALTY TILE	MATTE FINISH VERICAL GRAIN INSTALL BISAZZA - OPUS ROMANO - SANDED GROUT MAPAI #02 PEWTER	7054-60 WILD CHERRY 80% 12.48LT RED, 20% 12.117 DK RED
CHICKLET TILES - (BLUE)	SPECIALTY TILE	BISAZZA - OPUS ROMANO - SANDED GROUT MAPAI #02 PEWTER	80% 12.75 DK. BLUE, 20% 12.87 TEAL
INSET ON TRAY STORAGE (ALTERNATE)	3FORM	COLORLED ACRYLIC PANEL	KIWI



EDWARD DON & CO.
PEPPER MARKET

Sheet	1a
Date	1.08.09
Scale	AS NOTED
FILE	
LOCATION	

Revisions

SUNSHINE METAL PRODUCTS INC
 999 Magnolia St.
 Alkamonte Springs, FL 32701
 407.331.1300 (F) 407.339.5732
 sunshinemetals@aol.com

