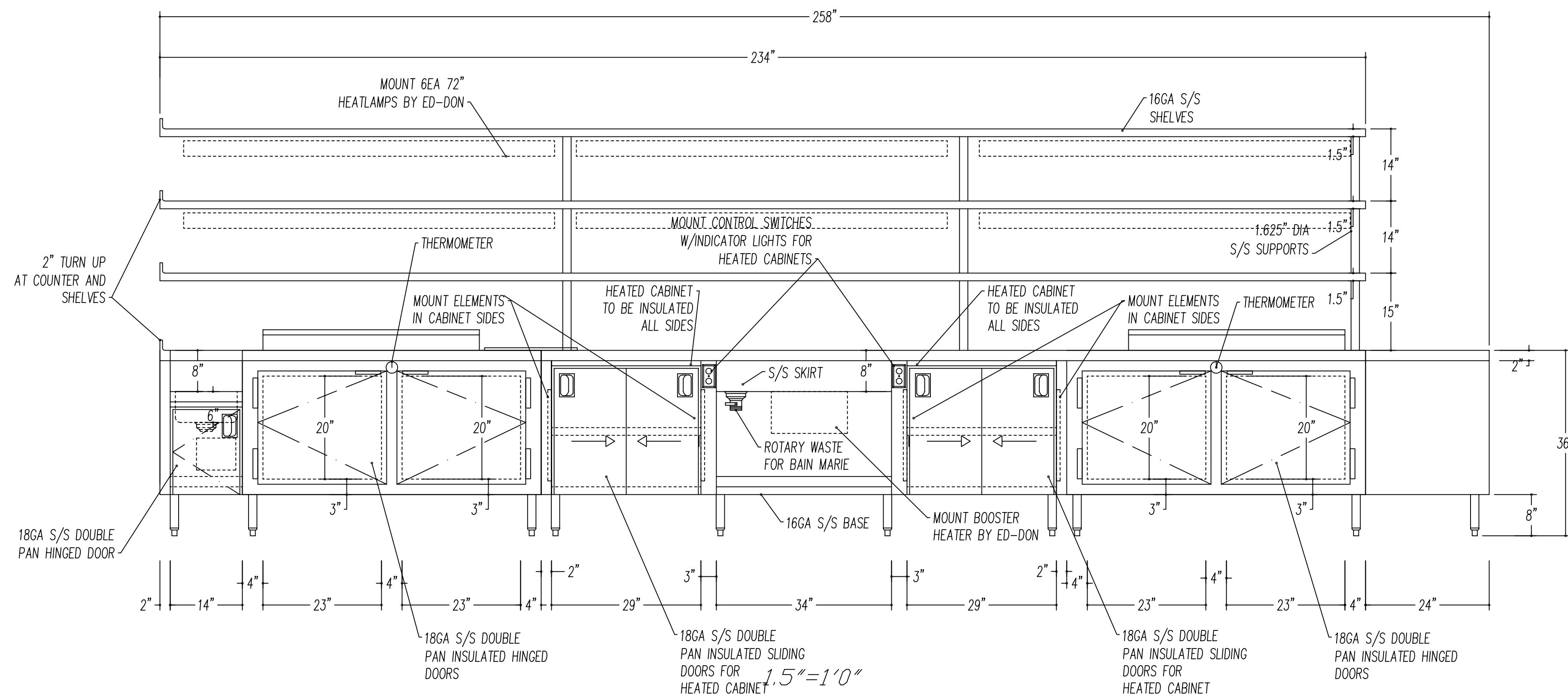


PLAN
 .75"=1'0"



ELEVATION A
 1.5"=1'0"

ITEM #64, 65
 CHEF'S COUNTER

SPECIFICATIONS ITEM #64, 65
 TOP - 14GA S/S TURN DOWN ALL SIDES
 LEGS - 1.625" DIA S/S W/ADJ. S/S BULLET FEET
 CABINET - 18GA S/S CONSTRUCTION
 18GA S/S DOUBLE PAN INSULATED DOORS AT HEATED BASE AND REFRIGERATORS
 12" X 10" X 6" SINK W/BASKET WASTE
 MOUNT EQUIPMENT BY OTHERS AS SHOWN
 OVER SHELF - 16GA S/S W/1.625" DIA S/S SUPPORTS
 PRE-WIRE ALL EQUIPMENT TO BREAKER BOX

SEE SHEET 7 FOR ELEVATION B
 AND SHEET 8 AND 9 FOR
 SECTIONS

EDWARD DON & CO.
 NINE DRAGONS

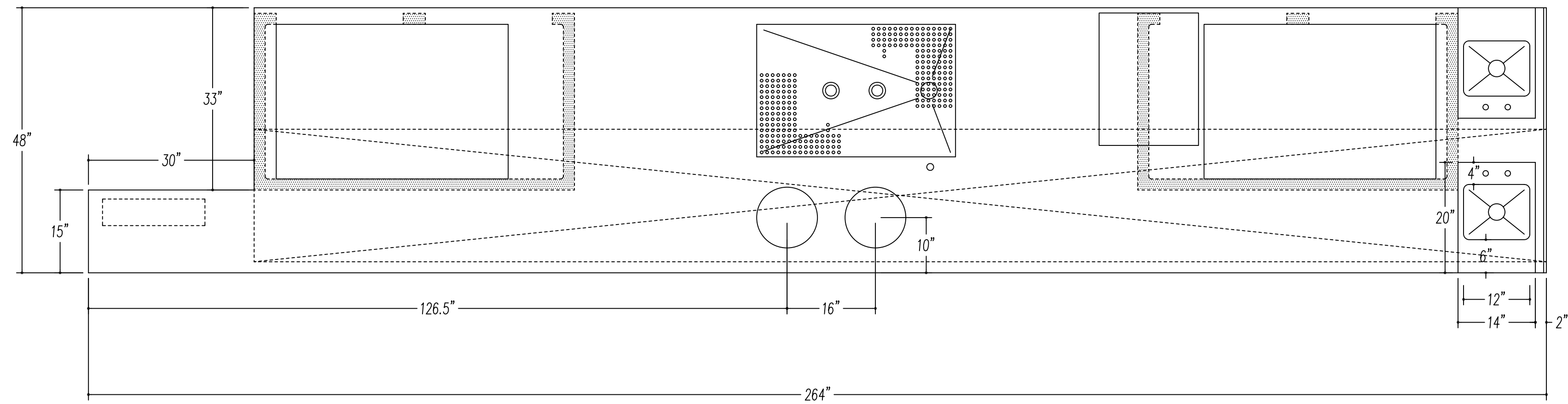
Sheet	6
Date	6.16.08
Scale	AS NOTED
FILE	
LOCATION	

Revisions

SUNSHINE
 METAL PRODUCTS INC

999 Magnolia St.
 Alkamonte Springs, FL 32701
 407.331.1300 (F) 407.339.5732
 sunshinemetals@aol.com



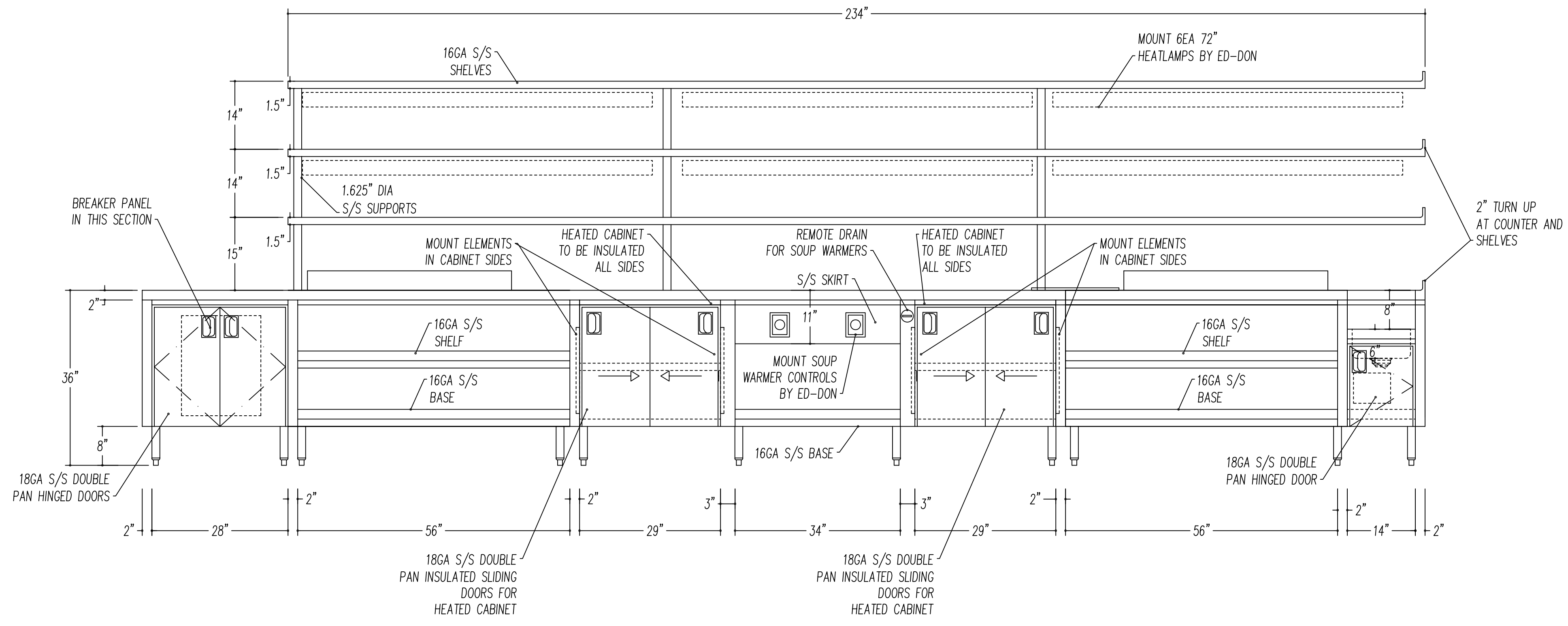


PLAN
 .75"=1'0"

ITEM #64, 65
 CHEF'S COUNTER

SPECIFICATIONS ITEM #64, 65
 TOP - 14GA S/S TURN DOWN ALL SIDES
 LEGS - 1.625" DIA S/S W/ADJ. S/S BULLET FEET
 CABINET - 18GA S/S CONSTRUCTION
 18GA S/S DOUBLE PAN INSULATED DOORS AT HEATED BASE AND REFRIGERATORS
 12" X 10" X 6" SINK W/BASKET WASTE
 MOUNT EQUIPMENT BY OTHERS AS SHOWN
 OVER SHELF - 16GA S/S W/1.625" DIA S/S SUPPORTS
 PRE-WIRE ALL EQUIPMENT TO BREAKER BOX

SEE SHEET 6 FOR ELEVATION A
 AND SHEET 8 AND 9 FOR
 SECTIONS



ELEVATION B
 1.5"=1'0"

Sheet	Date	Scale	FILE	LOCATION
7	6.16.08	AS NOTED		

Revisions

SUNSHINE
 METAL PRODUCTS INC

EDWARD DON & CO.
 NINE DRAGONS

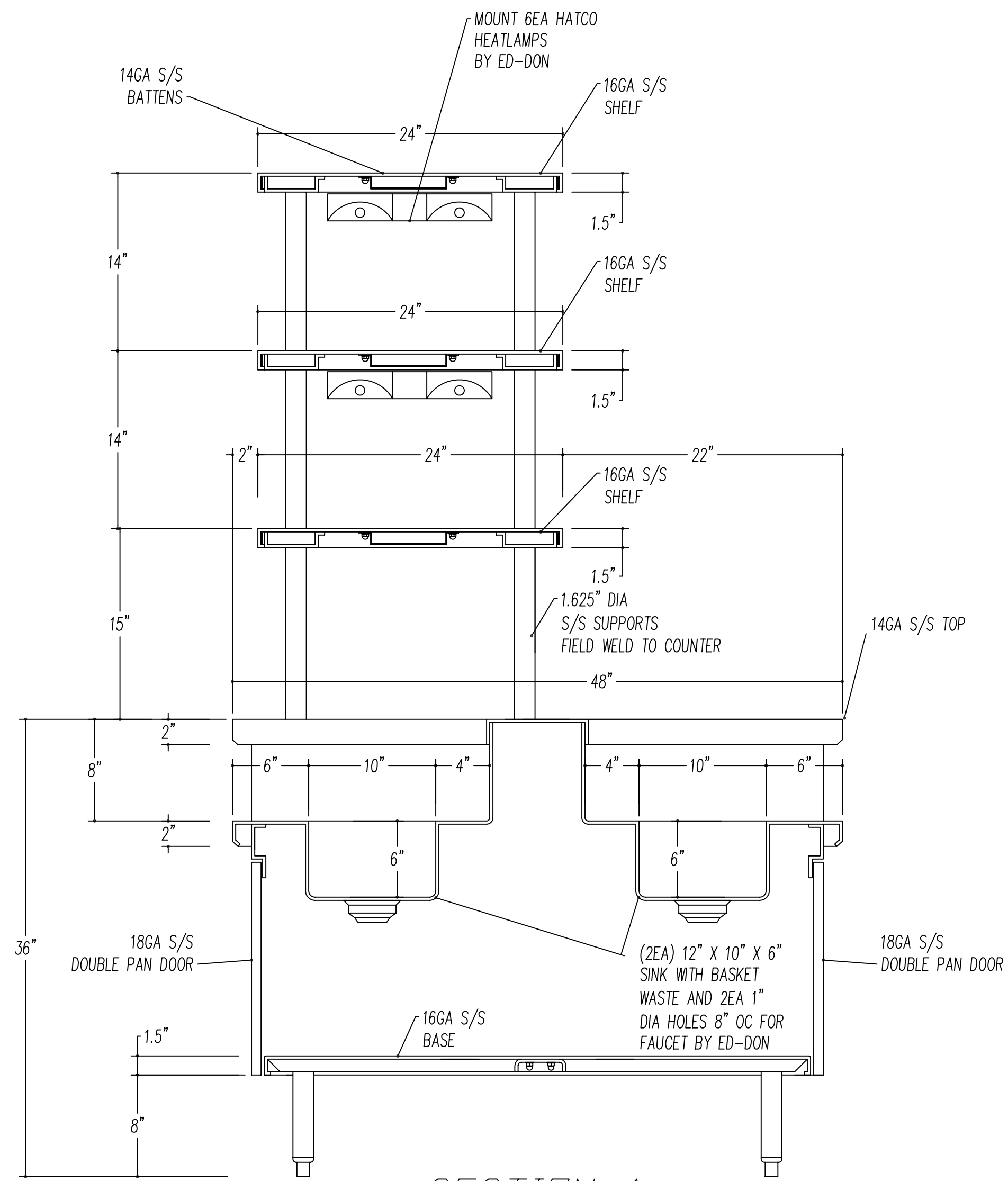
999 Magnolia St.
 Alkaimonte Springs, FL 32701
 407.331.1300 (F) 407.339.5732
 sunshinemetals@aol.com



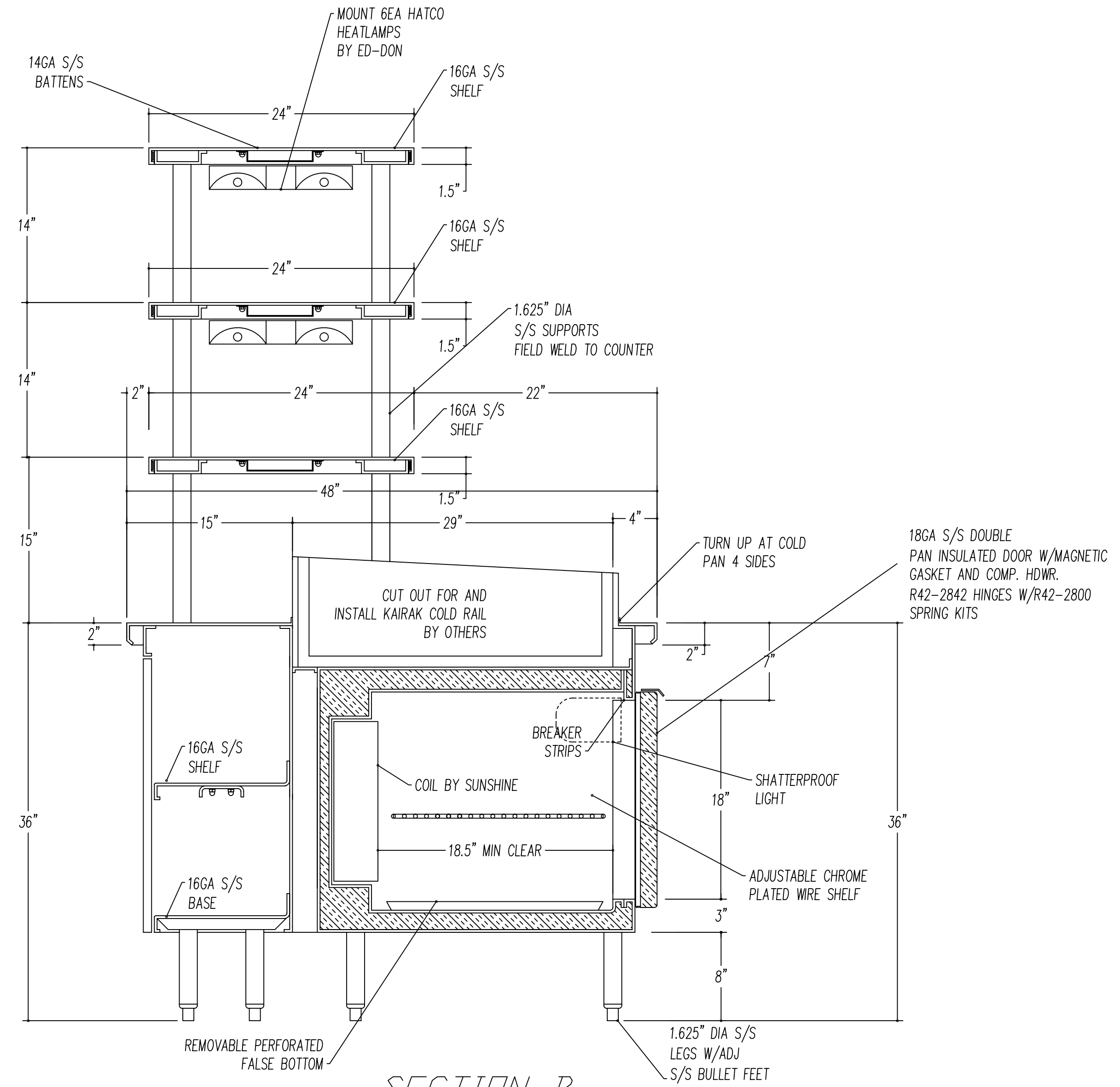
ITEM #64, 65
CHEF'S COUNTER

SPECIFICATIONS ITEM #64, 65
 TOP - 14GA S/S TURN DOWN ALL SIDES
 LEGS - 1.625" DIA S/S W/ADJ. S/S BULLET FEET
 CABINET - 18GA S/S CONSTRUCTION
 18GA S/S DOUBLE PAN INSULATED DOORS AT HEATED BASE AND REFRIGERATORS
 12" X 10" X 6" SINK W/BASKET WASTE
 MOUNT EQUIPMENT BY OTHERS AS SHOWN
 OVER SHELF - 16GA S/S W/1.625" DIA S/S SUPPORTS
 PRE-WIRE ALL EQUIPMENT TO BREAKER BOX

SEE SHEET 6 FOR ELEVATION A
AND SHEET 7 FOR ELEVATION B



SECTION A
1.5"=1'0"



SECTION B
1.5"=1'0"

Sheet	8
Date	6.16.08
Scale	AS NOTED
FILE	
LOCATION	

Revisions

SUNSHINE
METAL
PRODUCTS INC

EDWARD DON & CO.
NINE DRAGONS

999 Magnolia St.
Altamonte Springs, FL 32701
407.331.1300 (F) 407.339.5732
sunshinemetals@aol.com

